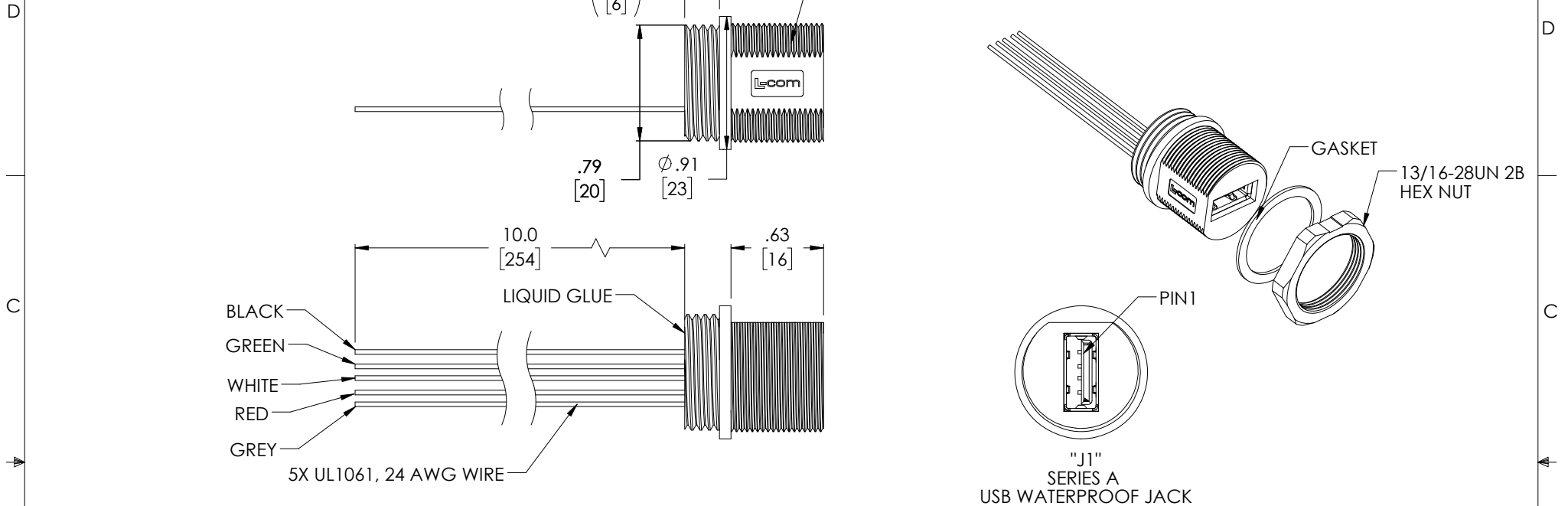
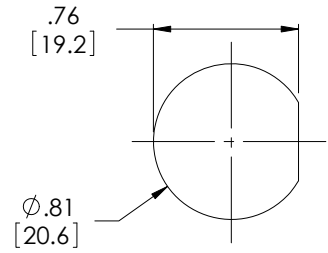


THE INFORMATION CONTAINED IN THIS DRAWING IS THE SOLE PROPERTY OF L-COM, INC. ANY REPRODUCTION IN PART OR WHOLE WITHOUT THE WRITTEN PERMISSION OF L-COM, INC. IS PROHIBITED.

REVISIONS			
REV	DESCRIPTION	DATE	APPROVED
P	ECN 12067: REVISED NOTES, ADDED NOTE 2 (TORQUE), REVISED FORMAT	09/02/2023	GUTTADAURO




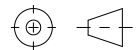
WIRING TABLE	
PIN#	COLOR
1	BLACK (PT BLACK 6C)
2	GREEN (PT 328C)
3	WHITE (RAL 9003)
4	RED (PT 1945C)
SHELL	GREY (PT 421C)



RECOMMENDED PANEL OPENING

- NOTES:
- CABLE ASSEMBLY SHALL BE TESTED FOR CONTINUITY
  - SUGGESTED MAX. TORQUE VALUE FOR HEX NUT IS 1.0N-m (8.8 lbf-in)
  - INGRESS PROTECTION RATING IS IP67 (J1 ONLY ,MATED)
  - CABLE ASSEMBLY SHALL BE INDIVIDUALLY PACKAGED IN ACCORDANCE WITH L-COM SPECIFICATION PS-0031

**REGULATORY COMPLIANCE:**  
EU RoHS DIRECTIVE (MOST RECENT RELEASED VERSION)

UNLESS OTHERWISE SPECIFIED, DIMENSIONS ARE IN INCHES [mm] OVERALL CABLE LENGTH TOLERANCE: ≤12 [305] = +1 [25] / -0 >12 [305] ≤60 [1524] = +2 [51] / -0 >60 [1524] ≤120 [3048] = +4 [102] / -0 >120 [3048] ≤300 [7620] = +6 [152] / -0 >300 [7620] = +5% / -0 ALL OTHER DIMENSIONAL TOLERANCES: .X = ± .2 [5]      FRACTIONS ± 1/32 .XX = ± .02 [5]      ANGLES ± 1° .XXX = ± .005 [13]	APPROVALS DRAWN BY C.MCCORMICK CHECKED BY D.PARHAM APPROVED BY R.CARRICK	DATE 07/29/2003 08/01/2003 08/01/2003	 50 High Street, West Mill, North Andover, MA 01845 USA. Phone: 1.800.341.5266 1.978.682.6936
	CONFIGURATION DETAILS OF UNDIMENSIONED FEATURES MAY VARY COLOR VARIATIONS MAY OCCUR	CATEGORY USB	
THIRD-ANGLE PROJECTION 	SIZE <b>A</b>	CAGE CODE <b>43321</b>	ITEM NO. <b>WPUSBAF</b>
SCALE: NONE		CAD FILE: WPUSBAF.SLDDRW	
SHEET 1 OF 1			REV. <b>P</b>