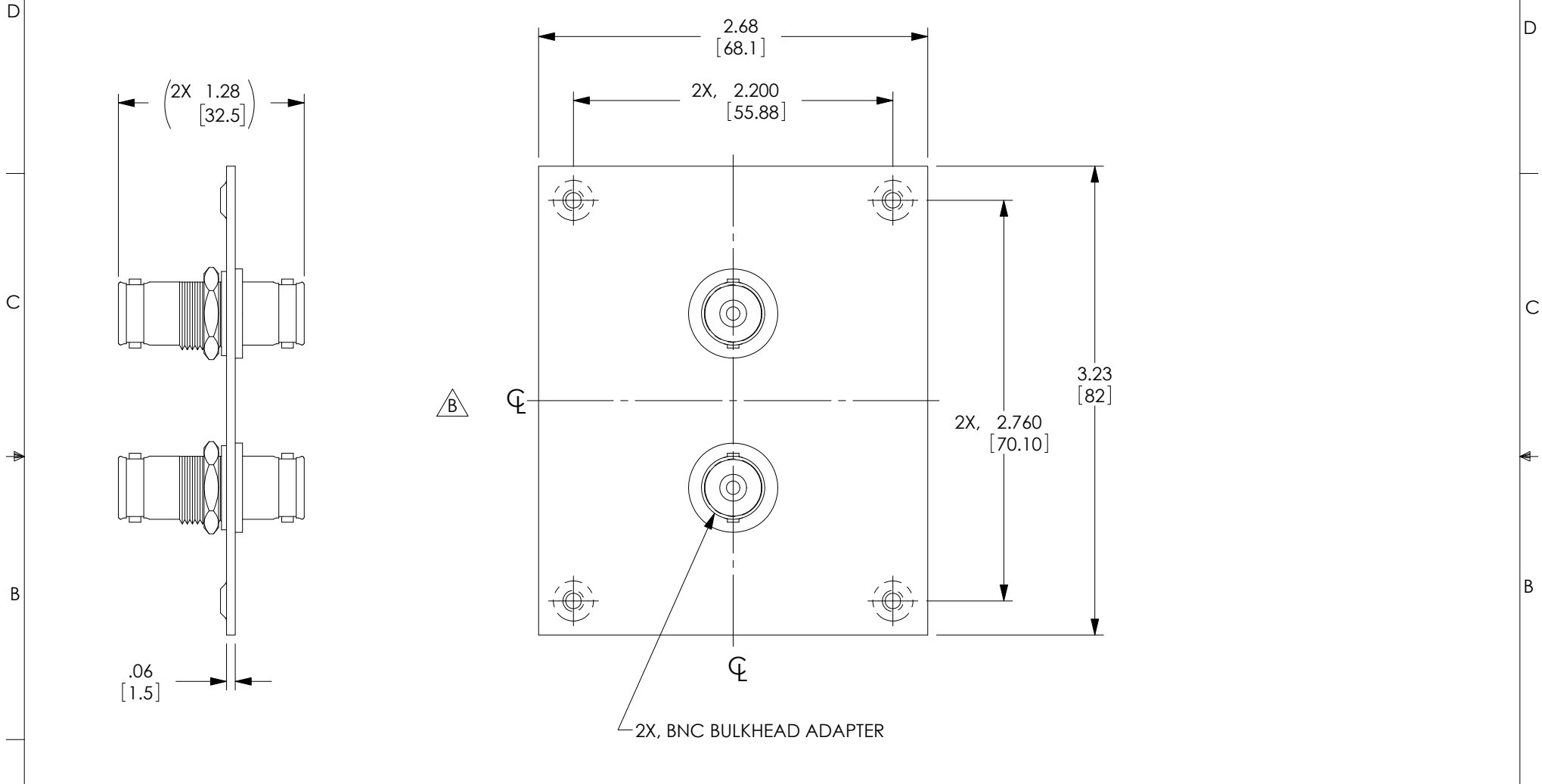



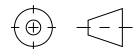
THE INFORMATION CONTAINED IN THIS DRAWING IS THE SOLE PROPERTY OF L-COM, INC. ANY REPRODUCTION IN PART OR WHOLE WITHOUT THE WRITTEN PERMISSION OF L-COM, INC. IS PROHIBITED.

| REVISIONS | | | |
|-----------|--|------------|------------|
| REV | DESCRIPTION | DATE | APPROVED |
| A | INITIAL RELEASE | 03/19/2007 | DFRISIELLO |
| B | ECN 12041: REMOVED CENTER HOLE, REVISED FORMAT | 08/22/2022 | MMARTINEZ |
| | | | |
| | | | |



- NOTES:
1. PANEL MATERIAL: .06 [1.5] THK COLD ROLLED STEEL..
 2. PANEL FINISH: FLAT BLACK POWDER COAT.
 3. KIT CONTAINS 4, #6-32 UNC SCREWS.
 4. SUB PANEL ASSEMBLY SHALL BE INDIVIDUALLY PACKAGED IN ACCORDANCE WITH L-COM SPECIFICATION PS-0031.

REGULATORY COMPLIANCE:
EU RoHS DIRECTIVE (MOST RECENT RELEASED VERSION)

| | | | |
|--|--|--|---|
| UNLESS OTHERWISE SPECIFIED, DIMENSIONS ARE IN INCHES [mm] OVERALL CABLE LENGTH TOLERANCE: ≤12 [305] = +1 [25] / -0 >12 [305] ≤60 [1524] = +2 [51] / -0 >60 [1524] ≤120 [3048] = +4 [102] / -0 >120 [3048] ≤300 [7620] = +6 [152] / -0 >300 [7620] = +5% / -0 ALL OTHER DIMENSIONAL TOLERANCES: .X = ± .2 [5] FRACTIONS ± 1/32 .XX = ± .02 [5] ANGLES ± 1° .XXX = ± .005 [13] | APPROVALS | DATE |  50 High Street, West Mill, North Andover, MA 01845 USA. Phone: 1.800.341.5266 1.978.682.6936 |
| | DRAWN BY DFRISIELLO | 03/19/2007 | |
| | CHECKED BY P.MCNEIL | 03/19/2007 | |
| | APPROVED BY J.ROBERTS | 03/19/2007 | |
| THIRD-ANGLE PROJECTION | CONFIGURATION DETAILS OF UNDIMENSIONED FEATURES MAY VARY | CATEGORY USP SUB PANELS | |
|  | COLOR VARIATIONS MAY OCCUR | PRODUCT DESCRIPTION USP SUB PANEL, W/2 BNC BULKHEAD COUPLERS | |
| SIZE A CAGE CODE 43321 ITEM NO. USP2BB REV. B | | SCALE: NONE CAD FILE: USP2BB.SLDRW SHEET 1 OF 1 | |