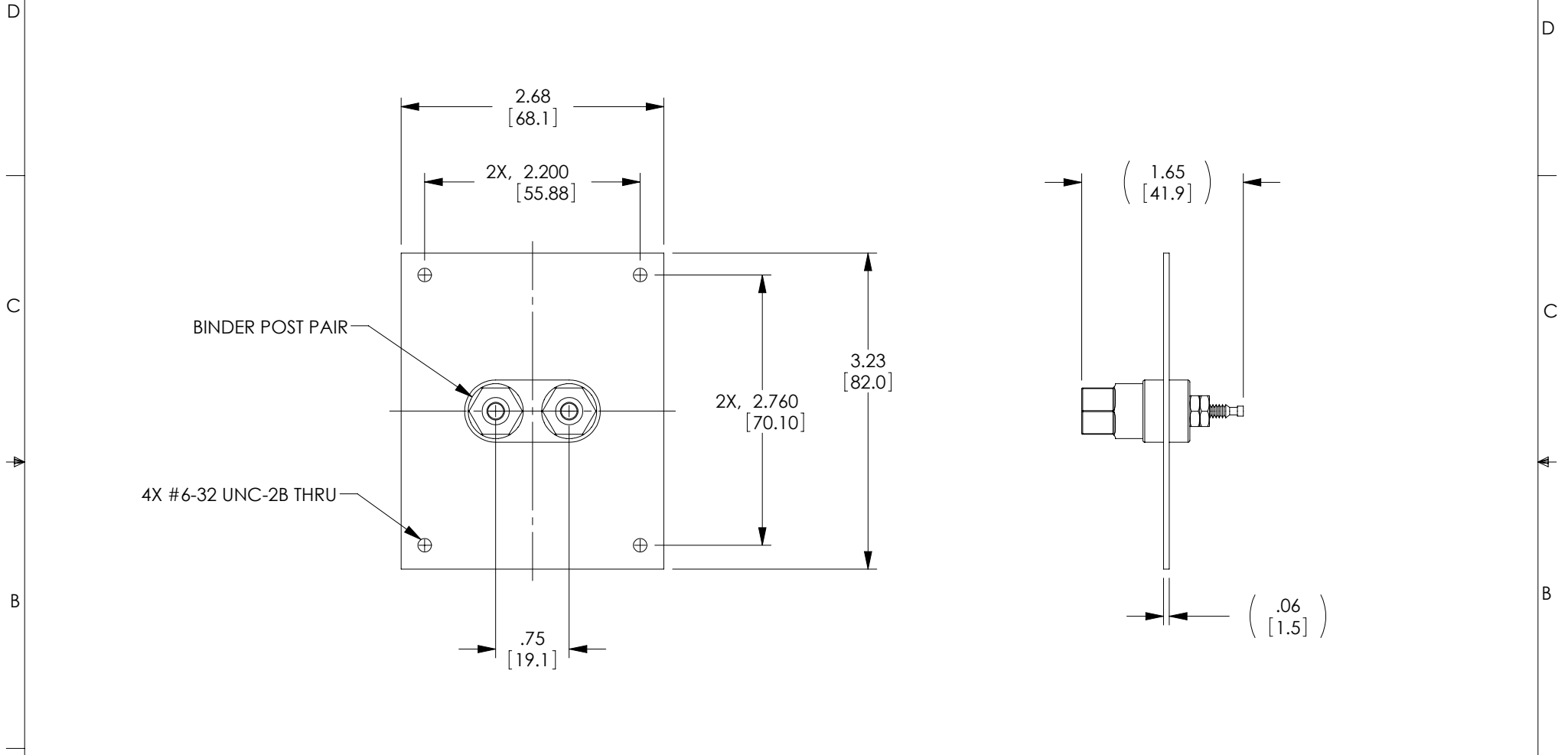



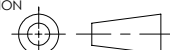
THE INFORMATION CONTAINED IN THIS DRAWING IS THE SOLE PROPERTY OF L-COM, INC. ANY REPRODUCTION IN PART OR WHOLE WITHOUT THE WRITTEN PERMISSION OF L-COM, INC. IS PROHIBITED.

REVISIONS			
REV	DESCRIPTION	DATE	APPROVED
A	INITIAL RELEASE	09/08/11	D.GRIFFIN



NOTES:

1. PANEL MATERIAL: .06 [1.5] THICK COLD ROLLED STEEL
2. PANEL FINISH: FLAT BLACK POWDERCOAT
3. KIT CONTAINS 4, #6-32 UNC-2A PAN HEAD SCREWS.
4. ALL DIMENSIONS SHOWN ARE FOR REFERENCE ONLY.
5. COMPONENT ASSEMBLY SHALL BE INDIVIDUALLY PACKAGED IN ACCORDANCE WITH L-COM SPECIFICATION PS-0031 & PS-0014.

UNLESS OTHERWISE SPECIFIED, DIMENSIONS ARE IN INCHES [mm] OVERALL CABLE LENGTH TOLERANCE: ≤12 [305] = +1 [25] / -0 >12 [305] ≤60 [1524] = +2 [51] / -0 >60 [1524] ≤120 [3048] = +4 [102] / -0 >120 [3048] ≤300 [7620] = +6 [152] / -0 >300 [7620] = +3% / -0%	APPROVALS	DATE	 45 BEECHWOOD DRIVE NORTH ANDOVER, MA 01845
	DRAWN BY D. PARHAM	09/08/2011	
ALL OTHER DIMENSIONAL TOLERANCES: .X = ± .2 .XX = ± .02 .XXX = ± .005	CHECKED BY D. FRISIELLO	09/08/2011	CATEGORY SUB PANEL
	APPROVED BY M. MARTINEZ	09/08/2011	PRODUCT DESCRIPTION USP SUB-PNL/BIND PST BK/RD BLK
PROJECTION 	CONFIGURATION DETAILS OF UNDIMENSIONED FEATURES MAY VARY	COLOR VARIATIONS MAY OCCUR	SIZE A FSCM NO. 43321 DWG. NO. USP-BPRB REV. A SCALE: NONE CAD FILE: USP-BPRB.SLDDRW SHEET 1 OF 1