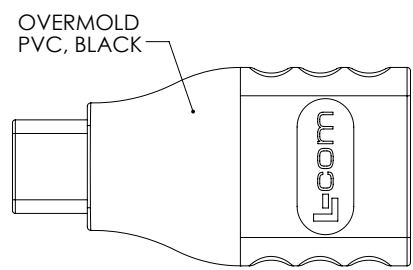
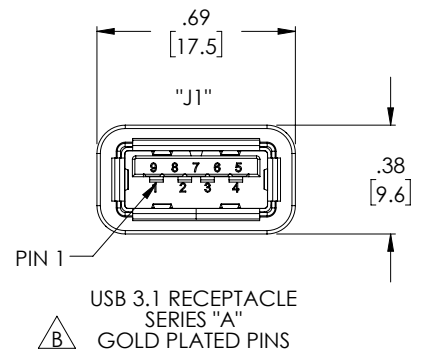
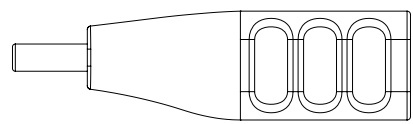
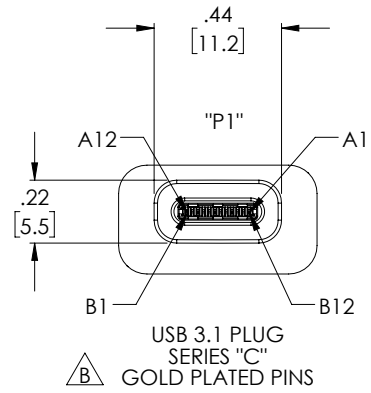
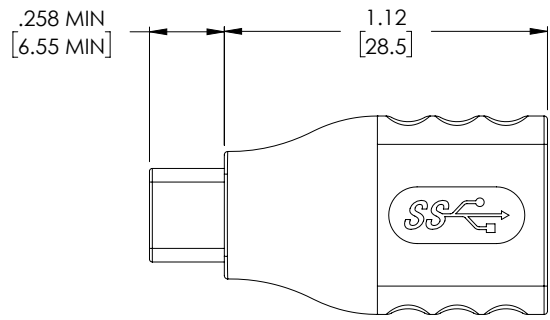
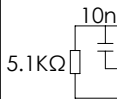


THE INFORMATION CONTAINED IN THIS DRAWING IS THE SOLE PROPERTY OF L-COM, INC. ANY REPRODUCTION IN PART OR WHOLE WITHOUT THE WRITTEN PERMISSION OF L-COM, INC. IS PROHIBITED.

REVISIONS			
REV	DESCRIPTION	DATE	APPROVED
A	INITIAL RELEASE	10/10/16	D. DESJARDIN
B	ECN 10783: UPDATE CONTACT FINISH TO GOLD FLASH	11/16/2020	DGUTTADAURO



WIRE MAP			
"P1"	SIGNAL NAME	"J1"	SIGNAL NAME
A1,B1,A12,B12	GND	4	GND
A4,B4,A9,B9	VBUS	7	GND_DRAIN
A5	CC	1	VBUS
B5	VCONN		N/C
A6	Dp1	3	D+
A7	Dn1	2	D-
A2	SSTXp1	9	StdA_SSTX+
A3	SSTXn1	8	StdA_SSTX-
B11	SSRXp1	6	StdA_SSRX+
B10	SSRXn1	5	StdA_SSRX-
SHELL	SHIELD	SHELL	SHIELD



- NOTES:**
- ADAPTER SHALL HAVE 360° SHIELD TERMINATION.
 - ADAPTER SHALL BE TESTED FOR CONTINUITY.
 - ADAPTER SHALL BE INDIVIDUALLY PACKAGED IN ACCORDANCE WITH L-COM SPECIFICATION PS-0031.

<p>UNLESS OTHERWISE SPECIFIED, DIMENSIONS ARE IN INCHES [mm]</p> <p>OVERALL CABLE LENGTH TOLERANCE: ≤12 [305] = +1 [25] / -0 >12 [305] ≤60 [1524] = +2 [51] / -0 >60 [1524] ≤120 [3048] = +4 [102] / -0 >120 [3048] ≤300 [7620] = +6 [152] / -0 >300 [7620] = +5% / -0</p> <p>ALL OTHER DIMENSIONAL TOLERANCES: .X = ± .2 [5] FRACTIONS ± 1/32 .XX = ± .02 [.5] ± 1/32 .XXX = ± .005 [.13] ANGLES ± 1°</p> <p>THIRD-ANGLE PROJECTION</p>	<p>APPROVALS</p> <p>DRAWN BY D. DESJARDIN</p> <p>CHECKED BY S.LI</p> <p>APPROVED BY S.LI</p>	<p>DATE</p> <p>11/6/15</p> <p>1/19/15</p> <p>1/19/15</p>	<p>L-com an INFINITO brand</p> <p>50 High Street, West Mill, North Andover, MA 01845 USA. Phone: 1.800.341.5266 1.978.682.6936</p>
	<p>CONFIGURATION DETAILS OF UNDIMENSIONED FEATURES MAY VARY</p>		<p>CATEGORY</p> <p>USB</p>
	<p>COLOR VARIATIONS MAY OCCUR</p>		<p>PRODUCT DESCRIPTION</p> <p>ADPT, USB 3.1 C-M/A-F</p>
	<p>SIZE</p> <p>A</p>	<p>CAGE CODE</p> <p>43321</p>	<p>DWG. NO.</p> <p>UAD041MF</p>
<p>SCALE: NONE</p>		<p>CAD FILE: UAD041MF.SLDDRW</p>	<p>SHEET 1 OF 1</p>