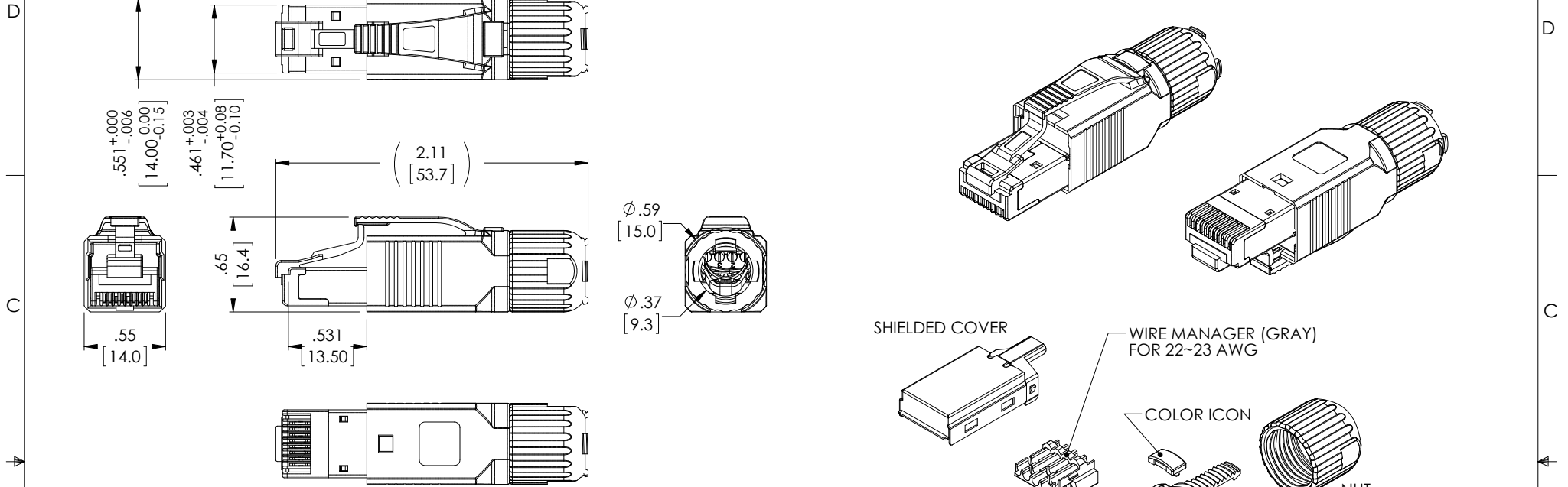


THE INFORMATION CONTAINED IN THIS DRAWING IS THE SOLE PROPERTY OF L-COM, INC. ANY REPRODUCTION IN PART OR WHOLE WITHOUT THE WRITTEN PERMISSION OF L-COM, INC. IS PROHIBITED.

REVISIONS			
REV	DESCRIPTION	DATE	APPROVED
A	INITIAL RELEASE	9/14/15	D.GRIFFIN



**SPECIFICATIONS:**

QUALIFIED SCREENED CLASS EA/CAT 6A  
 PERMANENT LINK & CHANNEL OF ANSI/TIA-568-C.2  
 IEC 60603-7-51  
 ISO/IEC 11801 2.2 EDITION  
 CENELEC EN50173-1:2011

**ELECTRICAL:**

CURRENT RATING: 1.5 AMPS MAXIMUM.  
 CONTACT RESISTANCE: 20 mOhm MAXIMUM AT 100 mA MAX. 50mV MAX.  
 INSULATION RESISTANCE: 500 MOhm MINIMUM, AT 500V DC  
 DIELECTRIC WITHSTANDING VOLTAGE: 1000 VAC RMS 60HZ, 1 MINUTE.

**MECHANICAL:**

DURABILITY: 1000 MATING CYCLES.  
 CABLE TO PLUG TENSILE STRENGTH: 20 LBS (89N) MIN.  
 TEMPERATURE: -40°C TO 70°C

**PHYSICAL:**

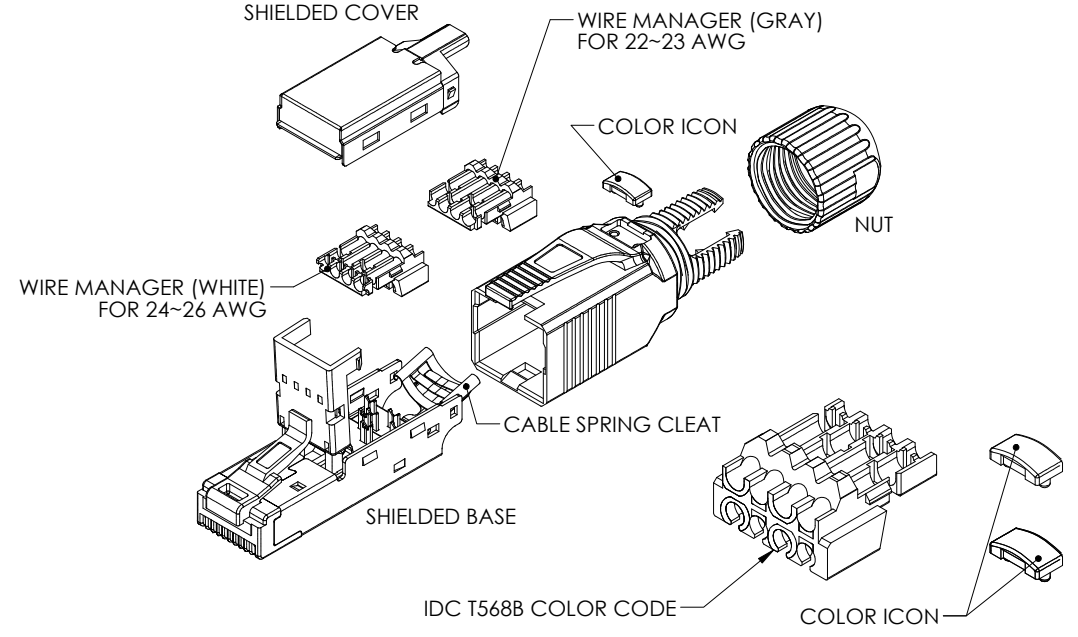
HOUSING: NYLON  
 PLUG BODY: POLYCARBONATE (PC), UL 94V-0.  
 WIRE HOLDER: PBT+10%GF  
 PLUG CONTACT: T=0.35mm PHOSPHOR BRONZE  
 CONTACT AREA: GOLD OVER NICKEL PLATING.  
 IDC CONTACT: T=0.4mm PHOSPHOR BRONZE, Sn OVER NICKEL PLATING.  
 SHIELDING BASE: T=0.5mm BRASS, NICKEL PLATING.  
 SHIELDING COVER: T=0.3mm PHOSPHOR BRONZE, NICKEL PLATING.  
 ACCEPT CABLE: #26AWG-23AWG SOLID WIRE.

**MISCELLANEOUS:**

COMPONENT SHALL BE INDIVIDUALLY PACKAGED IN ACCORDANCE WITH L-COM SPECIFICATION PS-0031.

**REGULATORY COMPLIANCE:**

CE2011/65/EU (RoHS DIRECTIVE)



UNLESS OTHERWISE SPECIFIED,  
 DIMENSIONS ARE IN INCHES [mm]  
 OVERALL CABLE LENGTH TOLERANCE:  
 ≤12 [305] = +1 [25] / -0  
 >12 [305] ≤60 [1524] = +2 [51] / -0  
 >60 [1524] ≤120 [3048] = +4 [102] / -0  
 >120 [3048] ≤300 [7620] = +6 [152] / -0  
 >300 [7620] = +5% / -0%

ALL OTHER DIMENSIONAL TOLERANCES:  
 .X = ±.2 [5.08]  
 .XX = ±.02 [51]  
 .XXX = ±.005 [1.27]

PROJECTION

APPROVALS	DATE
DRAWN BY D. DESJARDIN	9/11/15
CHECKED BY D. FRIESIELLO	9/14/15
APPROVED BY D. GALLAGHER	9/14/15

**L-com** Global Connectivity  
 45 BEECHWOOD DRIVE  
 NORTH ANDOVER, MA 01845

CATEGORY: TELECOM/MODULAR

PRODUCT DESCRIPTION: RJ45 FIELD-TERM C6A SHIELDED

SIZE <b>A</b>	FSCM NO. <b>43321</b>	DWG. NO. <b>TSPFTC6AS</b>	REV. <b>A</b>
------------------	--------------------------	------------------------------	------------------

SCALE: NONE | CAD FILE: TSPFTC6AS.SLDRW | SHEET 1 OF 1