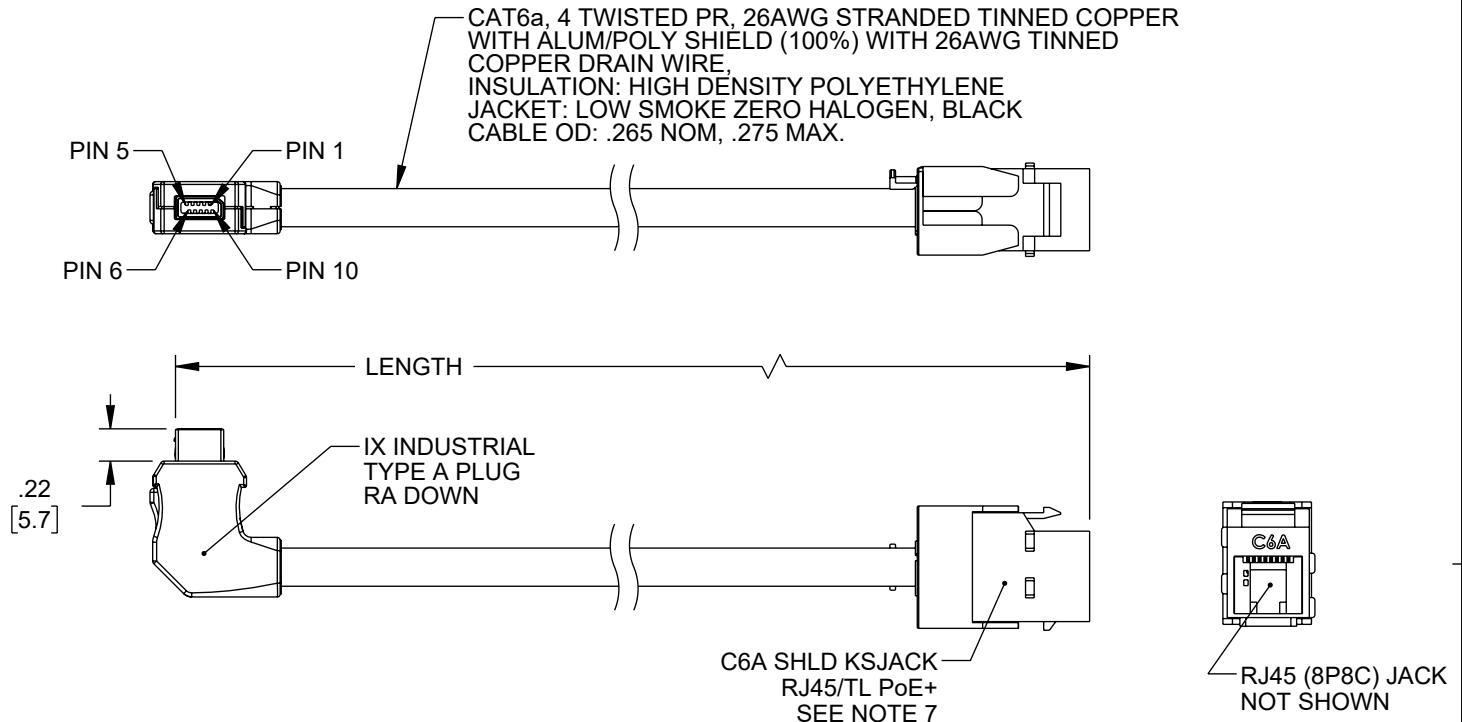


IX PIN #	COLOR	RJ45 PIN#
1	ORN/WHT	1
2	ORN	2
3		
4	BLU	4
5	BLU/WHT	5
6	GRN/WHT	3
7	GRN	6
8		
9	BRN/WHT	7
10	BRN	8
SHIELD	SHELL	SHELL

REVISION					
ZONE	REV	DESCRIPTION	DATE	CHANGED BY	APPROVED
	A	INITIAL RELEASE	01/09/2024	DZINN	GUTTADAURO



NOTES:

CABLE CHARACTERISTICS:

TEMPERATURE RATING: -20°C TO +75°C

VOLTAGE RATING: 300 V

SHIELDED FLEXIBLE PATCH/JUMPER CABLE SUPPORTS SCREENED 568-D.2 CAT 6A APPLICATIONS.

RATINGS: FLAME: VW-1, CORROSIVE GAS: IEC 60754-2, SMOKE: IEC 61034-1&2.

NEC (ETL) CMX, CEC C(ETL) CMX.

CABLE ASSY LENGTH		
ITEM NO.	METER	FEET
TRGIX617LZ-BLK-1M	1	3.28
TRGIX617LZ-BLK-3M	3	9.84

- NOMINAL VOLTAGE: 50 V AC/ 60 V DC
- IX CONNECTORS CONFORM TO IEC STANDARD 61076-3-124
- THIS PRODUCT (TYPE A) IS DEFINED FOR 10/100 MBIT/S AND 1/10 GBIT/S ETHERNET COMMUNICATION. PLEASE USE TYPE B FOR ALL OTHER NON ETHERNET APPLICATIONS LIKE SIGNALING, SERIAL OR OTHER INDUSTRIAL BUS COMMUNICATION SYSTEMS.
- RJ45 CONTACTS: 50µm GOLD PLATED.
- CABLE ASSEMBLY SHALL BE TESTED FOR CONTINUITY.
- CABLE ASSEMBLY SHALL BE INDIVIDUALLY PACKAGED IAW L-COM PACKAGING SPECIFICATION PS-0031.
- RJ45 ORIENTATION SHOWN FOR REF ONLY.

THE INFORMATION CONTAINED IN THIS DRAWING IS THE SOLE PROPERTY OF INFINITE ELECTRONICS, INC. ANY REPRODUCTION IN PART OR WHOLE WITHOUT THE WRITTEN PERMISSION OF INFINITE ELECTRONICS, INC. IS PROHIBITED. THESE COMMODITIES, TECHNOLOGY OR SOFTWARE WERE EXPORTED FROM THE UNITED STATES IN ACCORDANCE WITH THE EXPORT ADMINISTRATION REGULATIONS. DIVERSION CONTRARY TO U.S. LAW PROHIBITED.

UNLESS OTHERWISE SPECIFIED LEADING DIMENSIONS ARE INCHES DIMENSIONS IN [] ARE MILLIMETERS	
TOLERANCES:	
X = ±.2 [5]	FRACTIONS ± 1/32
.XX = ±.02 [0.5]	ANGLES ± 1°
.XXX = ±.005 [0.13]	
CABLE LENGTH TOLERANCES:	
≤12 [305] = +1 [25] / -0	
>12 [305] ≤ 60 [1524] = +2 [51] / -0	
>60 [1524] ≤ 120 [3048] = +4 [102] / -0	
>120 [3048] ≤ 300 [7620] = +6 [152] / -0	
>300 [7620] = +5% / -0	
ALL DIMENSIONS ARE FOR REFERENCE ONLY AND SUBJECT TO CHANGE WITHOUT NOTICE UN-DIMENSIONED/NON-CRITICAL FEATURES MAY VARY IN SIZE AND LOCATION COLORS MAY VARY	

L-com
an INFINIT® brand

Website: www.L-com.com
Phone: 1.800.341.5266 | 1.978.682.6936

INTERPRET ALL DIMENSIONS AND TOLERANCES PER ASME Y14.5	
SCALE	SHEET
NONE	1 OF 1

DESCRIPTION				
RADIXA-RJ45J, CAT6A SF/UTP CMX LSZH TPE BLACK				
SIZE	CAGE CODE	DRAWN BY	ITEM NO.	REV
A	43321	DZINN	TRGIX617LZ-BLK	A