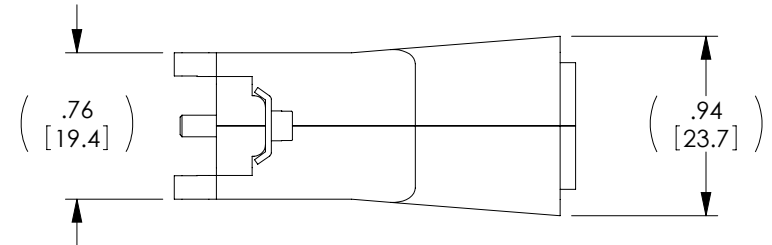
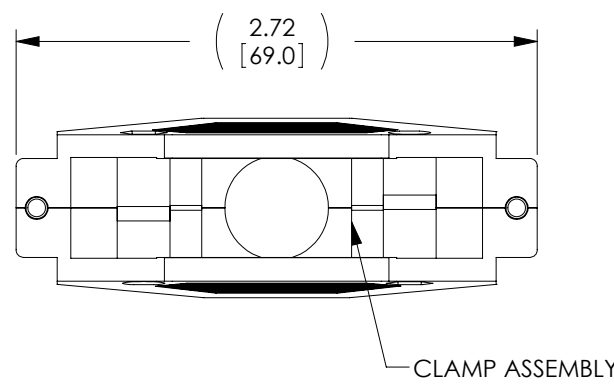
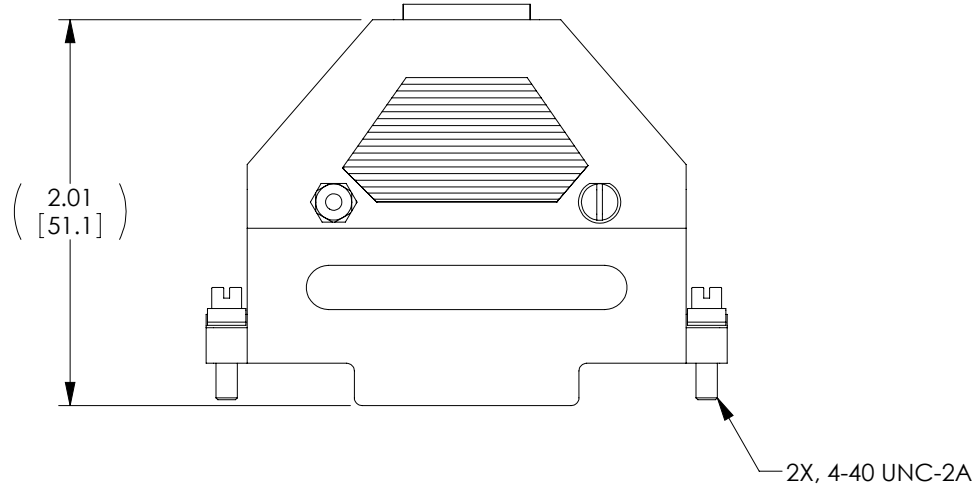


THE INFORMATION CONTAINED IN THIS DRAWING IS THE SOLE PROPERTY OF L-COM, INC. ANY REPRODUCTION IN PART OR WHOLE WITHOUT THE WRITTEN PERMISSION OF L-COM, INC. IS PROHIBITED.

REVISIONS			
REV	DESCRIPTION	DATE	APPROVED
A	INITIAL RELEASE	9/14/10	D.GRIFFIN



NOTES:

HOOD: FLAME RETARDANT PLASTIC, GRAY

HARDWARE PROVIDED: FOR MALE GENDER TERMINATION.
FEMALE HARDWARE SOLD SEPARATELY.

COMPONENT ASSEMBLY SHALL BE INDIVIDUALLY PACKAGED
IN ACCORDANCE WITH L-COM SPECIFICATION PS-0031.

RoHS Compliant ✓

UNLESS OTHERWISE SPECIFIED, DIMENSIONS ARE IN INCHES [mm] OVERALL CABLE LENGTH TOLERANCE: ≤ 12 [305] = +1 [25] / -0 > 12 [305] ≤ 60 [1524] = +2 [51] / -0 > 60 [1524] ≤ 120 [3048] = +4 [102] / -0 > 120 [3048] ≤ 300 [7620] = +6 [152] / -0 > 300 [7620] = +3% / -0% ALL OTHER DIMENSIONAL TOLERANCES: .X = ± .2 .XX = ± .02 .XXX = ± .005	APPROVALS DRAWN BY D.FRISIELLO	DATE 9/14/10	45 BEECHWOOD DRIVE NORTH ANDOVER, MA 01845
	CHECKED BY D.CASTRO	DATE 9/14/10	
PROJECTION 	CONFIGURATION DETAILS OF UNDIMENSIONED FEATURES MAY VARY	PRODUCT DESCRIPTION DB37/HD62 PLASTIC HOOD GRAY	SIZE A
COLOR VARIATIONS MAY OCCUR	FSCM NO. 43321	DWG. NO. SDC37G	REV. A
SCALE: NONE		CAD FILE: SDC37G.SLDDRW	SHEET 1 OF 1