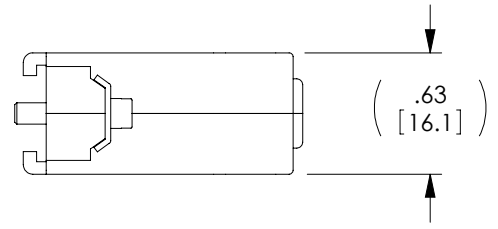
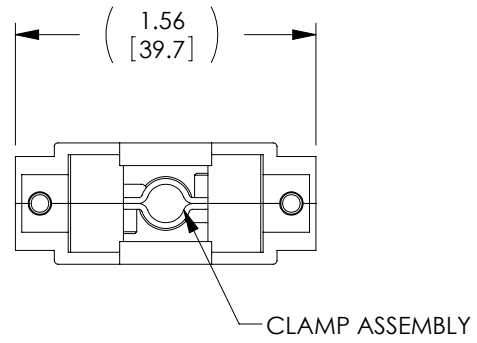
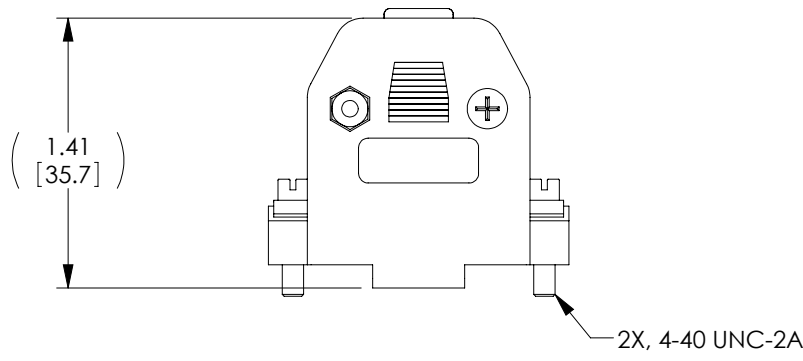


THE INFORMATION CONTAINED IN THIS DRAWING IS THE SOLE PROPERTY OF L-COM, INC. ANY REPRODUCTION IN PART OR WHOLE WITHOUT THE WRITTEN PERMISSION OF L-COM, INC. IS PROHIBITED.

REVISIONS			
REV	DESCRIPTION	DATE	APPROVED
A	INITIAL RELEASE	9/14/10	D.GRIFFIN



NOTES:

HOOD: FLAME RETARDENT PLASTIC, GRAY

HARDWARE PROVIDED: FOR MALE GENDER TERMINATION.  
FEMALE HARDWARE SOLD SEPERATELY.

COMPONENT ASSEMBLY SHALL BE INDIVIDUALLY PACKAGED  
IN ACCORDANCE WITH L-COM SPECIFICATION PS-0031.

**RoHS Compliant** ✓

UNLESS OTHERWISE SPECIFIED, DIMENSIONS ARE IN INCHES [mm] OVERALL CABLE LENGTH TOLERANCE: ≤12 [305] = +1 [25] / -0 >12 [305] ≤60 [1524] = +2 [51] / -0 >60 [1524] ≤120 [3048] = +4 [102] / -0 >120 [3048] ≤300 [7620] = +6 [152] / -0 >300 [7620] = +3% / -0% ALL OTHER DIMENSIONAL TOLERANCES: .X = ± .2 .XX = ± .02 .XXX = ±.005	APPROVALS DRAWN BY D.FRISIELLO	DATE 9/14/10		45 BEECHWOOD DRIVE NORTH ANDOVER, MA 01845
	CHECKED BY D.CASTRO	9/14/10		CATEGORY <b>DATA CABLING</b>
PROJECTION 	CONFIGURATION DETAILS OF UNDIMENSIONED FEATURES MAY VARY	COLOR VARIATIONS MAY OCCUR	PRODUCT DESCRIPTION <b>DB15/HD26 PLASTIC GRAY HOOD</b>	SIZE <b>A</b>
FSCM NO. <b>43321</b>	DWG. NO. <b>SDC15G</b>	REV. <b>A</b>	SCALE: NONE	CAD FILE: SDC15G.SLDDRW
			SHEET 1 OF 1	