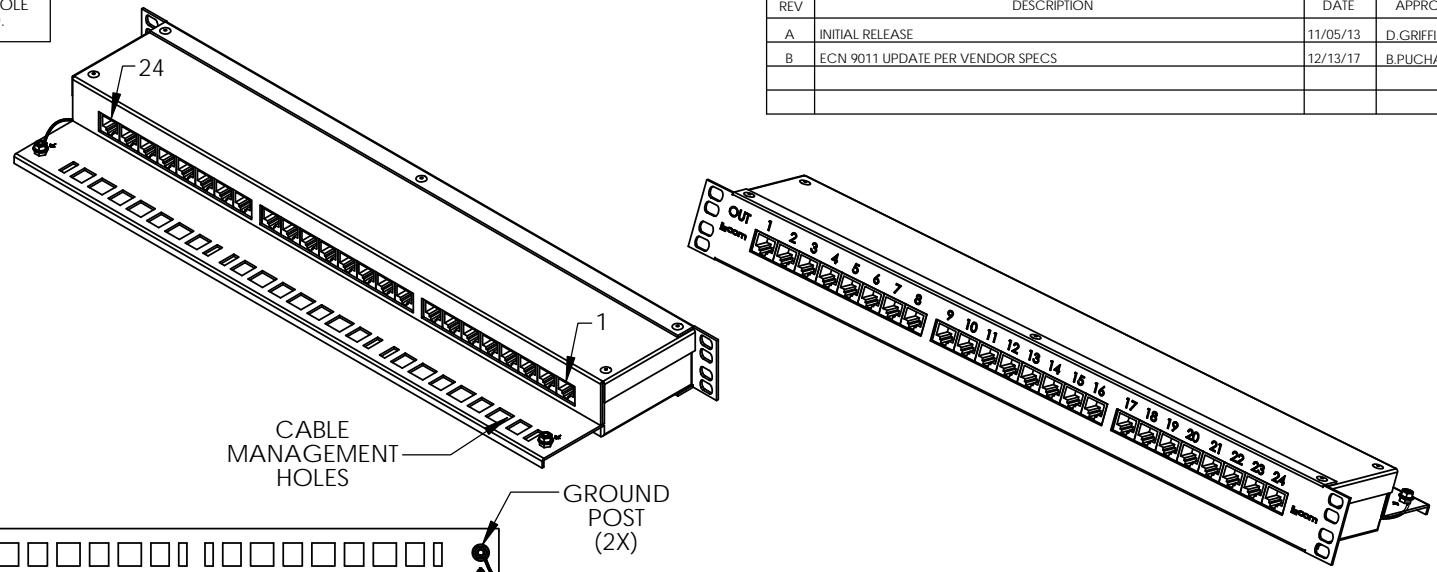
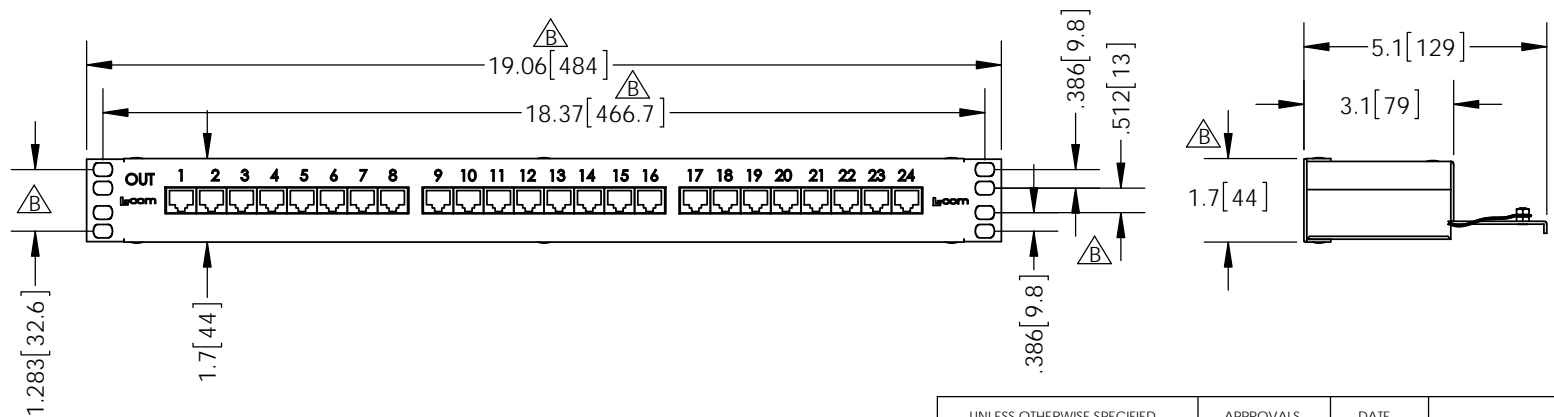
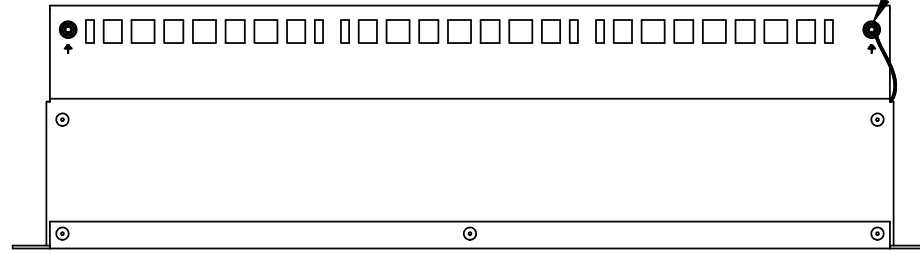


THE INFORMATION CONTAINED IN THIS DRAWING IS THE SOLE PROPERTY OF L-COM, INC. ANY REPRODUCTION IN PART OR WHOLE WITHOUT THE WRITTEN PERMISSION OF L-COM, INC. IS PROHIBITED.

REVISIONS			
REV	DESCRIPTION	DATE	APPROVED
A	INITIAL RELEASE	11/05/13	D.GRIFFIN
B	ECN 9011 UPDATE PER VENDOR SPECS	12/13/17	B.PUCHASKI




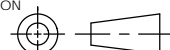
CABLE MANAGEMENT HOLES
GROUND POST (2X)



NOTES:
PACKAGING:
COMPONENT SHALL BE PACKAGED IN ACCORDANCE WITH L-COM SPEC PKG-00012

- ALL DIMENSIONS FOR REFERENCE ONLY -

REGULATORY COMPLIANCE:
CE2011/65/EU(RoHS DIRECTIVE)

UNLESS OTHERWISE SPECIFIED, DIMENSIONS ARE IN INCHES [mm] DIMENSIONAL TOLERANCES: .X = ±.1 [2.54] .XX = ±.01 [.25] .XXX = ±.005 [.13] ANGULAR TOLERANCES: ALL = ± 1°	APPROVALS	DATE	 50 HIGH STREET NORTH ANDOVER, MA 01845		
	DRAWN BY B.PUCHASKI	11/05/13			CATEGORY
	CHECKED BY K.BURGNER	11/05/13	LIGHTNING PROTECTOR		
	APPROVED BY P.PESA	11/05/13	PRODUCT DESCRIPTION 24 PORT CAT5 LIGHTNING PROTECTOR RACK MOUNT RJ45		
PROJECTION 	COLOR VARIATIONS MAY OCCUR	SIZE A	FSCM NO. 43321	DWG. NO. RMSP-CAT5-24	REV. B
		SCALE: NONE	CAD FILE: RMSP-CAT5-24.SLDDRW		SHEET 1 OF 1