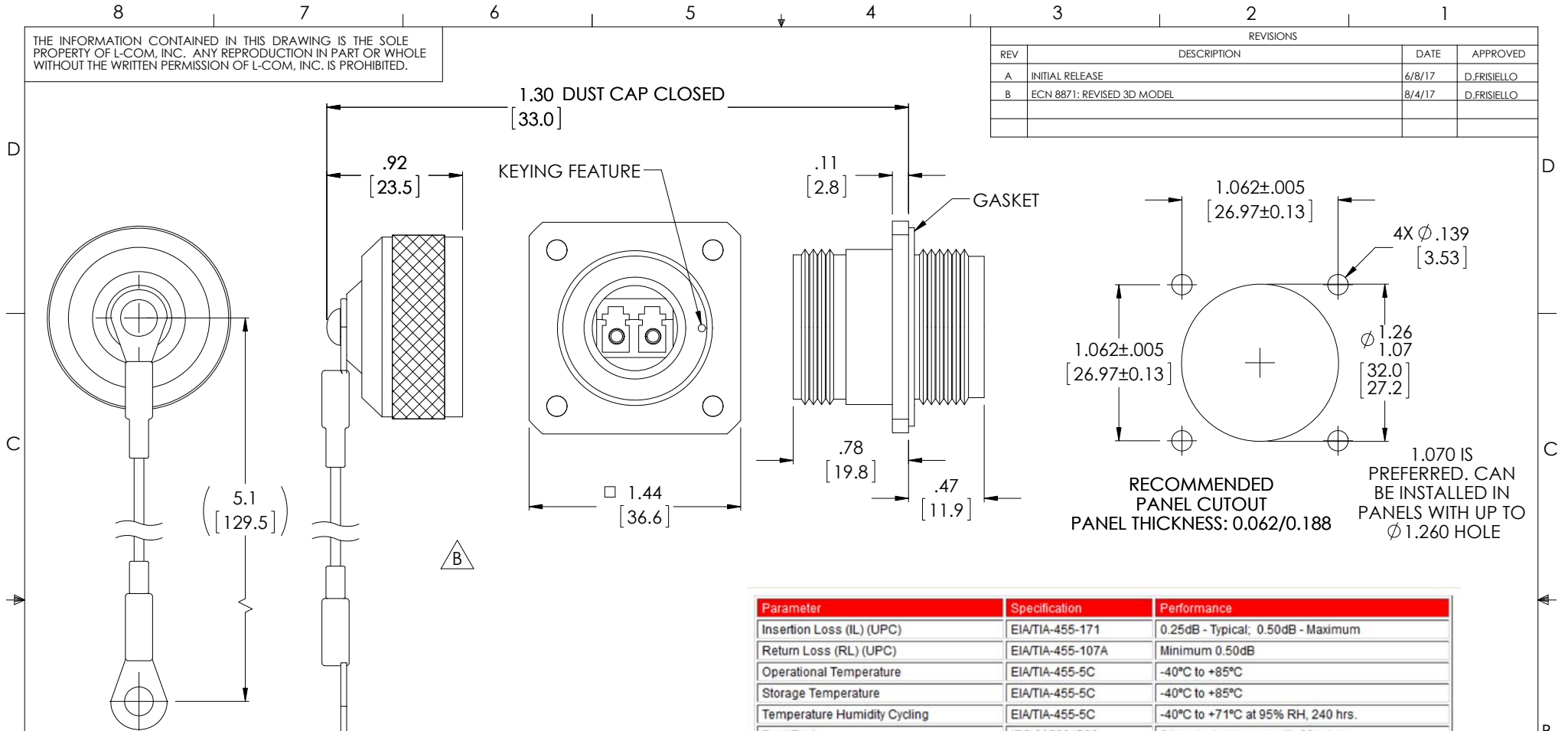


THE INFORMATION CONTAINED IN THIS DRAWING IS THE SOLE PROPERTY OF L-COM, INC. ANY REPRODUCTION IN PART OR WHOLE WITHOUT THE WRITTEN PERMISSION OF L-COM, INC. IS PROHIBITED.

REVISIONS			
REV	DESCRIPTION	DATE	APPROVED
A	INITIAL RELEASE	6/8/17	D.FRISIELLO
B	ECN 8871: REVISED 3D MODEL	8/4/17	D.FRISIELLO



MODEL NUMBER	LC TYPE
RLRD121LC01A	DUPLEX, BEIGE
RLRD121LC02B	DUPLEX, BLUE
RLRD121LC02E	DUPLEX, GREEN

Parameter	Specification	Performance
Insertion Loss (IL) (UPC)	EIA/TIA-455-171	0.25dB - Typical, 0.50dB - Maximum
Return Loss (RL) (UPC)	EIA/TIA-455-107A	Minimum 0.50dB
Operational Temperature	EIA/TIA-455-5C	-40°C to +85°C
Storage Temperature	EIA/TIA-455-5C	-40°C to +85°C
Temperature Humidity Cycling	EIA/TIA-455-5C	-40°C to +71°C at 95% RH, 240 hrs.
Dust Test	IEC 60529 IP68	8 hrs dust exposure with 20 mbar
Water Submersion	IEC 60529 IP68	48 hrs. immersion/1 meter water
Cable Retention ¹	EIA/TIA-455-6	400 lbs. for 10 minutes
Mating Durability	EIA/TIA-455-21	500 cycles
Impact	EIA/TIA-455-2C	8 drops, 2.4 meters
Vibration	EIA/TIA-455-11	10-55Hz, 2 hr/axis, 3 axis
Mechanical Shock	EIA/TIA-455-14A	Condition C, 5 shocks/axis
Crush	EIA/TIA-455-26A	450 lbs.

- NOTES:**
- MATERIAL:**
EXTERNAL PARTS: ALUMINUM/BLACK ANODIZE
ADAPTER HOUSING: THERMOPLASTIC
MISC. HARDWARE: STAINLESS STEEL
SEALS: SILICONE / NITRILE
LANYARD: STAINLESS STEEL (NYLON COAT)
 - RATING:** IP-68
 - ALL DIMENSIONS ARE FOR REFERENCE ONLY.**
 - COMPONENT SHALL BE INDIVIDUALLY PACKAGED IN ACCORDANCE WITH L-COM SPECIFICATION LSP-010-1**

UNLESS OTHERWISE SPECIFIED, DIMENSIONS ARE IN INCHES [mm] OVERALL CABLE LENGTH TOLERANCE: $\leq 12 [305] = +1 [25] / -0$ >12 [305] $\leq 60 [1524] = +2 [51] / -0$ >60 [1524] $\leq 120 [3048] = +4 [102] / -0$ >120 [3048] $\leq 300 [7620] = +6 [152] / -0$ >300 [7620] = +5% / -0%	APPROVALS	DATE		50 HIGH STREET NORTH ANDOVER, MA 01845
	DRAWN BY D.FRISIELLO	6/7/17		CATEGORY
ALL OTHER DIMENSIONAL TOLERANCES: $.X = \pm .2 [5.08]$ $.XX = \pm .02 [1.51]$ $.XXX = \pm .005 [1.13]$	CHECKED BY M.MARTINEZ	6/8/17	PRODUCT DESCRIPTION	LC IP68 RCPT FLNG MNT MM DCAP
PROJECTION	APPROVED BY D.GUITADAURO	6/8/17	CONFIGURATION DETAILS OF UNDIMENSIONED FEATURES MAY VARY	SIZE A
	COLOR VARIATIONS MAY OCCUR	SCALE: NONE	FWM NO. 43321	DWG. NO. RLRD121L
			CAD FILE: RLRD121L.SLDDRW	REV. B
				SHEET 1 OF 1