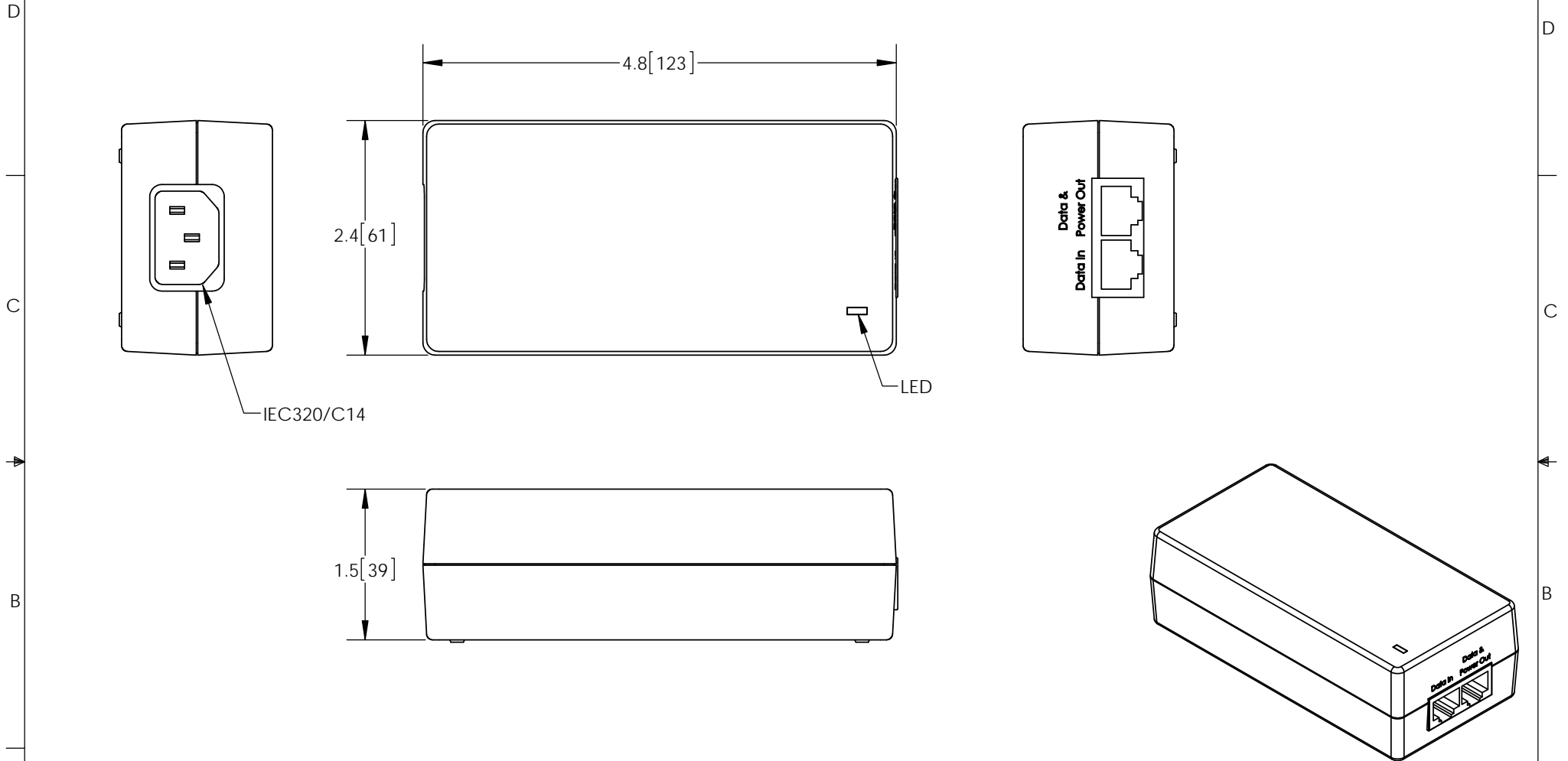


THE INFORMATION CONTAINED IN THIS DRAWING IS THE SOLE PROPERTY OF L-COM, INC. ANY REPRODUCTION IN PART OR WHOLE WITHOUT THE WRITTEN PERMISSION OF L-COM, INC. IS PROHIBITED.

REVISIONS			
REV	DESCRIPTION	DATE	APPROVED
A	INITIAL RELEASE	7/25/12	D. DESJARDIN



NOTES:  
 PACKAGING:  
 SHALL BE PACKAGED AS PER L-COM SPEC PKG-00091  
 - ALL DIMENSIONS FOR REFERENCE ONLY -

RoHS Compliant ✓

UNLESS OTHERWISE SPECIFIED, DIMENSIONS ARE IN INCHES [mm]	APPROVALS	DATE			45 BEECHWOOD DRIVE NORTH ANDOVER, MA 01845
	DRAWN BY B. PUCHASKI	07/25/12			
	DIMENSIONAL TOLERANCES: .X = ±.1 .XX = ±.01 .XXX = ±.005	CHECKED BY K. BURGNER	07/25/12	CATEGORY POWER PRODUCTS	
ANGULAR TOLERANCES: ALL = ± 1°	APPROVED BY K. BURGNER	07/25/12	PRODUCT DESCRIPTION DESKTOP 24VDC PoE INJECTOR W/ 24W 1A POWER SUPPLY		
PROJECTION 	COLOR VARIATIONS MAY OCCUR	SIZE <b>A</b>	FSCM NO. <b>43321</b>	DWG. NO. PS2424-POE	REV. <b>A</b>
		SCALE: NONE	CAD FILE: PS2424-POE.SLDDRW		SHEET 1 OF 1