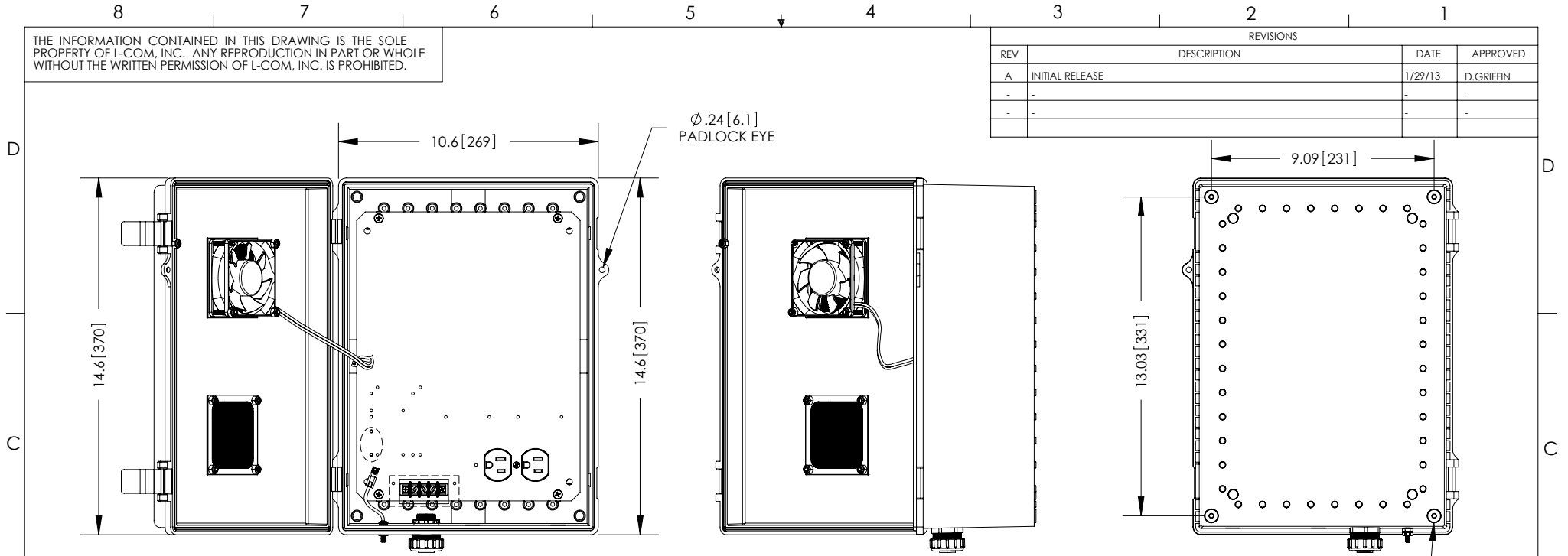
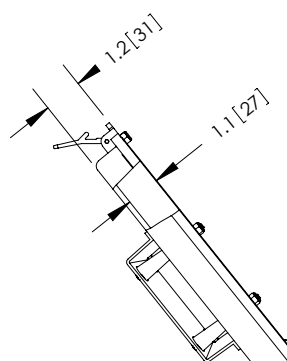


THE INFORMATION CONTAINED IN THIS DRAWING IS THE SOLE PROPERTY OF L-COM, INC. ANY REPRODUCTION IN PART OR WHOLE WITHOUT THE WRITTEN PERMISSION OF L-COM, INC. IS PROHIBITED.

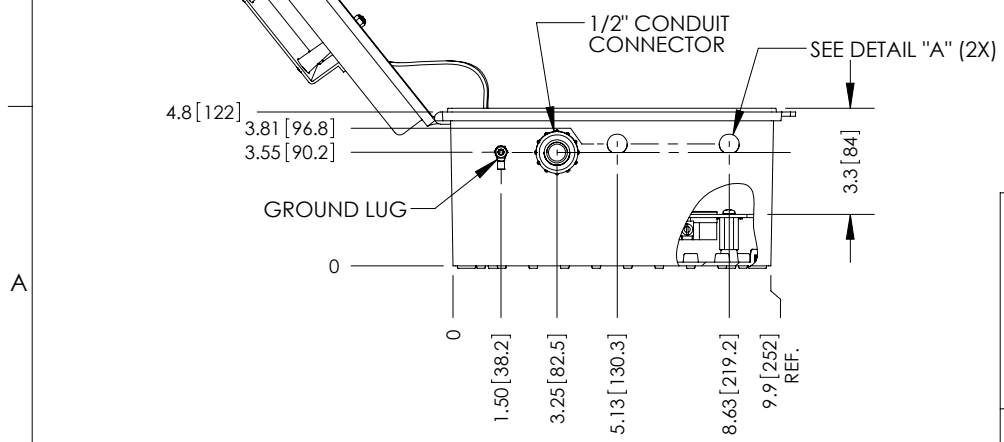
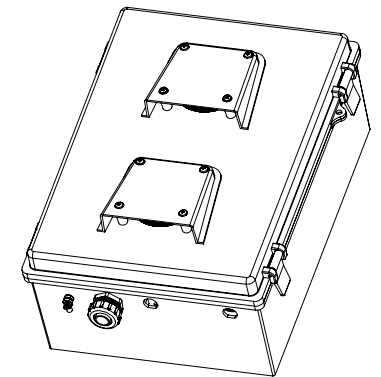
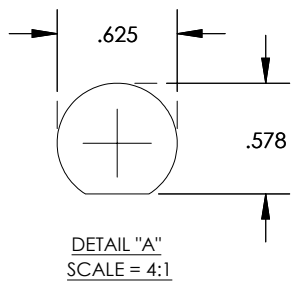
REVISIONS			
REV	DESCRIPTION	DATE	APPROVED
A	INITIAL RELEASE	1/29/13	D.GRIFFIN
-	-	-	-
-	-	-	-



M5X0.8 THREADED INSERT FOR MOUNTING (4X)



NOTE:  
 1- ENCLOSURE MATERIAL: ABS  
 2- PACKAGING: SHALL BE PACKAGED AS PER L-COM SPEC PKG-00070  
 - ALL DIMENSIONS FOR REFERENCE ONLY -



**RoHS Compliant** ✓

UNLESS OTHERWISE SPECIFIED, DIMENSIONS ARE IN INCHES [mm]  DIMENSIONAL TOLERANCES: .X = ±.1 .XX = ±.01 .XXX = ±.005  ANGULAR TOLERANCES: ALL = ± 1°  PROJECTION	APPROVALS DRAWN BY B.PUCHASKI CHECKED BY P.PESA APPROVED BY P.PESA	DATE 01/28/13 01/28/13 01/28/13	<b>L-com</b> Global Connectivity 45 BEECHWOOD DRIVE NORTH ANDOVER, MA 01845	
	CATEGORY <b>ENCLOSURE</b>		PRODUCT DESCRIPTION <b>NEMA ENCLOSURE 14 x 10 x 6 WEATHERPROOF 120VAC W/FAN</b>	
	CONFIGURATION DETAILS OF UNDIMENSIONED FEATURES MAY VARY	COLOR VARIATIONS MAY OCCUR	SIZE <b>A</b>	FSCM NO. <b>43321</b> DWG. NO. <b>NBE141006-10F</b>
	SCALE: NONE		CAD FILE: NBE141006-10F.SLDRW	REV. <b>A</b> SHEET 1 OF 1