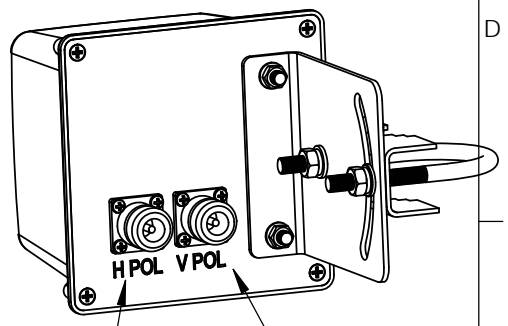
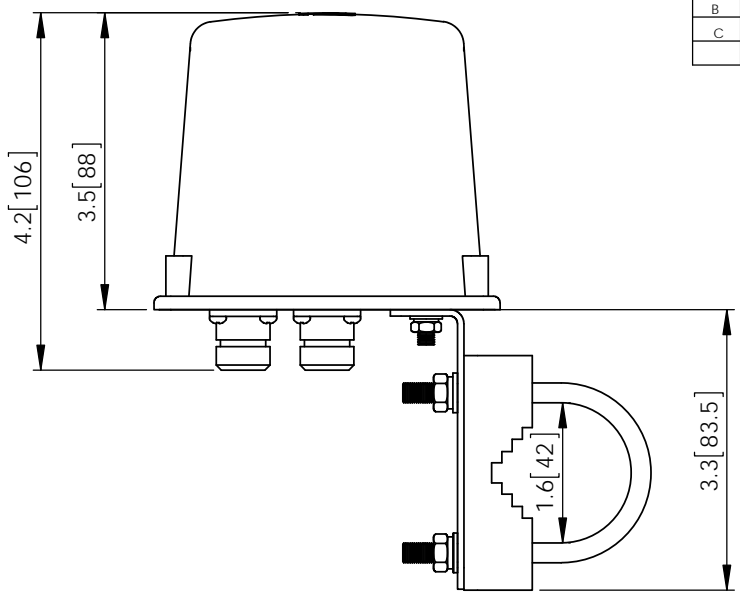
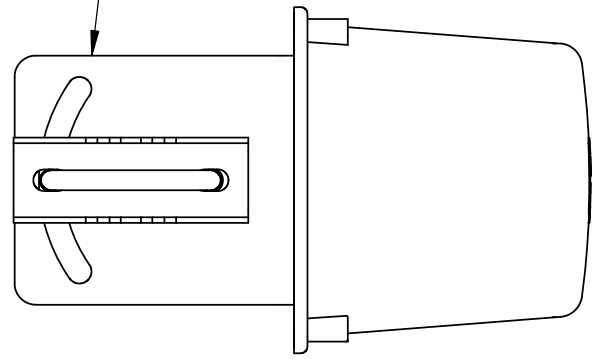
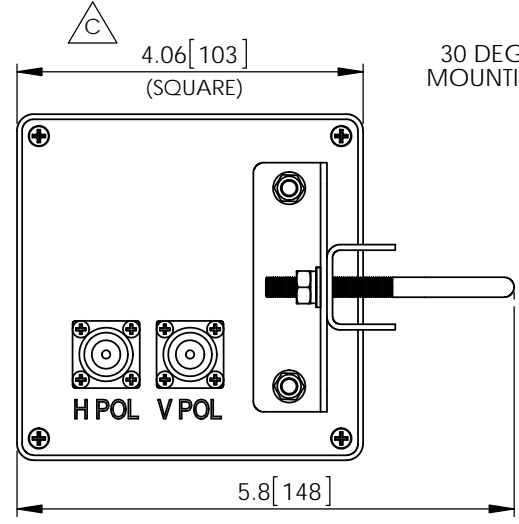
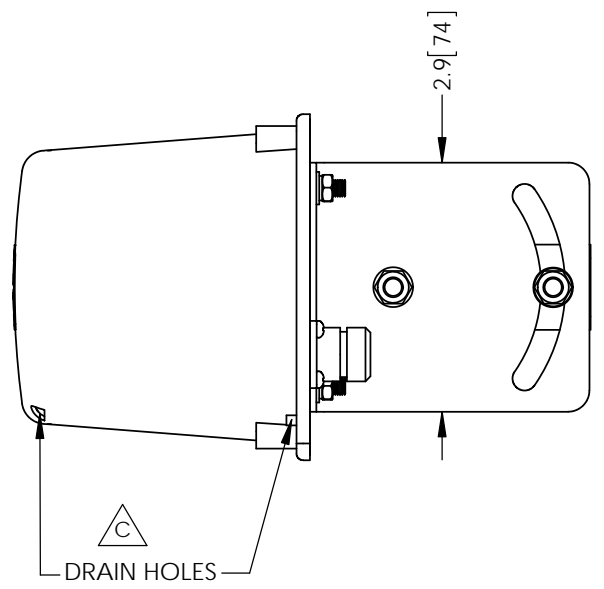


THE INFORMATION CONTAINED IN THIS DRAWING IS THE SOLE PROPERTY OF L-COM, INC. ANY REPRODUCTION IN PART OR WHOLE WITHOUT THE WRITTEN PERMISSION OF L-COM, INC. IS PROHIBITED.

REVISIONS			
REV	DESCRIPTION	DATE	APPROVED
A	INITIAL RELEASE	03/16/13	D.GRIFFIN
B	ECN 7457 RELOCATE CONNECTORS AS PER VENDOR	05/28/14	B.PUCHASKI
C	ECN 8882 UPDATE PER VENDOR SPECS	08/09/17	B.PUCHASKI



HORIZONTAL POLARIZED N-FEMALE CONNECTOR  
 VERTICAL POLARIZED N-FEMALE CONNECTOR



**NOTE:**  
 EACH UNIT TO BE INDIVIDUALLY PACKAGED PER L-COM SPEC PKG-00023

**REGULATORY COMPLIANCE:**  
 CE20011/65/EU(RoHS DIRECTIVE)

UNLESS OTHERWISE SPECIFIED, DIMENSIONS ARE IN INCHES [mm]  DIMENSIONAL TOLERANCES: .X = ±.1 [2.54] .XX = ±.01 [.25] .XXX = ±.005 [.13]  ANGULAR TOLERANCES: ALL = ± 1°  PROJECTION	APPROVALS B.PUCHASKI CHECKED BY P.PESA APPROVED BY P.PESA	DATE 03/05/13 03/05/13 03/05/13	50 HIGH STREET NORTH ANDOVER, MA 01845		
	CATEGORY ANTENNA		PRODUCT DESCRIPTION 2.4GHz-5.8GHz 10dBi DUAL POLARIZED PANEL ANTENNA W/2 N-FEMALE CONNECTORS		
	CONFIGURATION DETAILS OF UNDIMENSIONED FEATURES MAY VARY		COLOR VARIATIONS MAY OCCUR	SIZE <b>A</b>	FSCM NO. <b>43321</b>
	DWG. NO. HG2458-10DP		SCALE: NONE	CAD FILE: HG2458-10DP.SLDDRW	REV. <b>C</b>