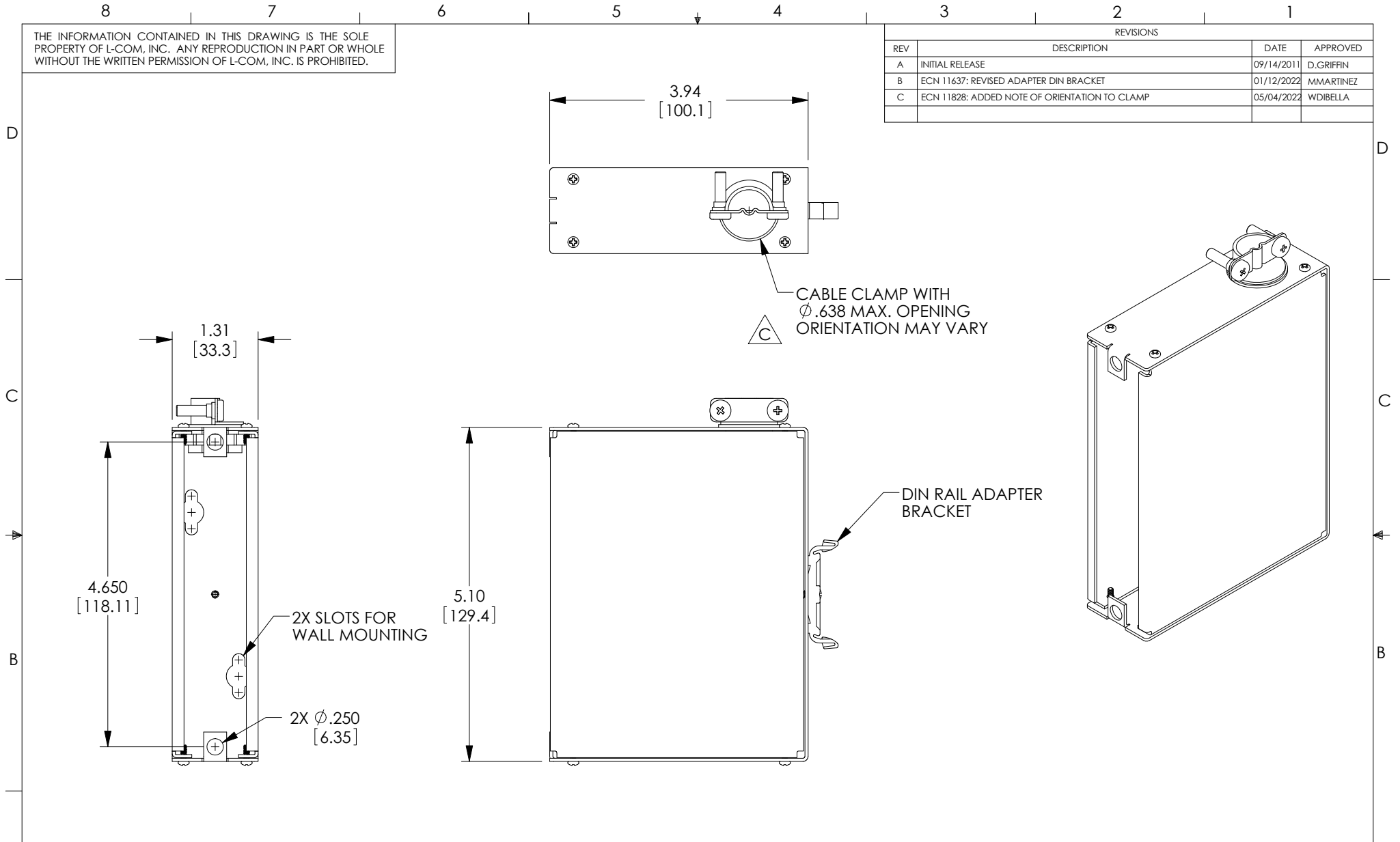



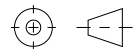
THE INFORMATION CONTAINED IN THIS DRAWING IS THE SOLE PROPERTY OF L-COM, INC. ANY REPRODUCTION IN PART OR WHOLE WITHOUT THE WRITTEN PERMISSION OF L-COM, INC. IS PROHIBITED.

| REVISIONS |   |            |           |
|-----------|---|------------|-----------|
| REV       | DESCRIPTION                                   | DATE       | APPROVED  |
| A         | INITIAL RELEASE                               | 09/14/2011 | D.GRIFFIN |
| B         | ECN 11637: REVISED ADAPTER DIN BRACKET        | 01/12/2022 | MMARTINEZ |
| C         | ECN 11828: ADDED NOTE OF ORIENTATION TO CLAMP | 05/04/2022 | WDIBELLA  |



NOTES:

1. MATERIAL: .06 THICK COLD ROLLED STEEL.
2. PANEL FINISH: FLAT BLACK POWDER COAT.
3. ALL DIMENSIONS ARE FOR REFERENCE ONLY.
4. PANEL ASSEMBLY SHALL BE INDIVIDUALLY PACKAGED IN ACCORDANCE WITH L-COM SPECIFICATION PS-0014.

|   |  |  |  |
|---|--|--|--|
| UNLESS OTHERWISE SPECIFIED, DIMENSIONS ARE IN INCHES [mm]<br>OVERALL CABLE LENGTH TOLERANCE:<br>≤12 [305] = +1 [25] / -0<br>>12 [305] ≤60 [1524] = +2 [51] / -0<br>>60 [1524] ≤120 [3048] = +4 [102] / -0<br>>120 [3048] ≤300 [7620] = +6 [152] / -0<br>>300 [7620] = +5% / -0<br>ALL OTHER DIMENSIONAL TOLERANCES:<br>.X = ±.2 [5]      FRACTIONS ± 1/32<br>.XX = ±.02 [.5]      ANGLES ± 1°<br>.XXX = ±.005 [.13] | APPROVALS<br>DRAWN BY DFRISIELLO<br>CHECKED BY M.SEDLESKI<br>APPROVED BY MMARTINEZ     | DATE<br>07/07/2011<br>07/07/2011<br>07/07/2011 | <br>50 High Street, West Mill,<br>North Andover, MA 01845 USA.<br>Phone: 1.800.341.5266<br>1.978.682.6936 |
|   | CONFIGURATION DETAILS OF UNDIMENSIONED FEATURES MAY VARY<br>COLOR VARIATIONS MAY OCCUR | CATEGORY<br><b>RACK PANELS</b>                 | PRODUCT DESCRIPTION<br><b>FIBER ADAPTER, SINGLE GANG</b>   |
| THIRD-ANGLE PROJECTION<br>   | SIZE <b>A</b>  | CAGE CODE <b>43321</b>                         | ITEM NO. <b>FSP-1DIN</b>   |