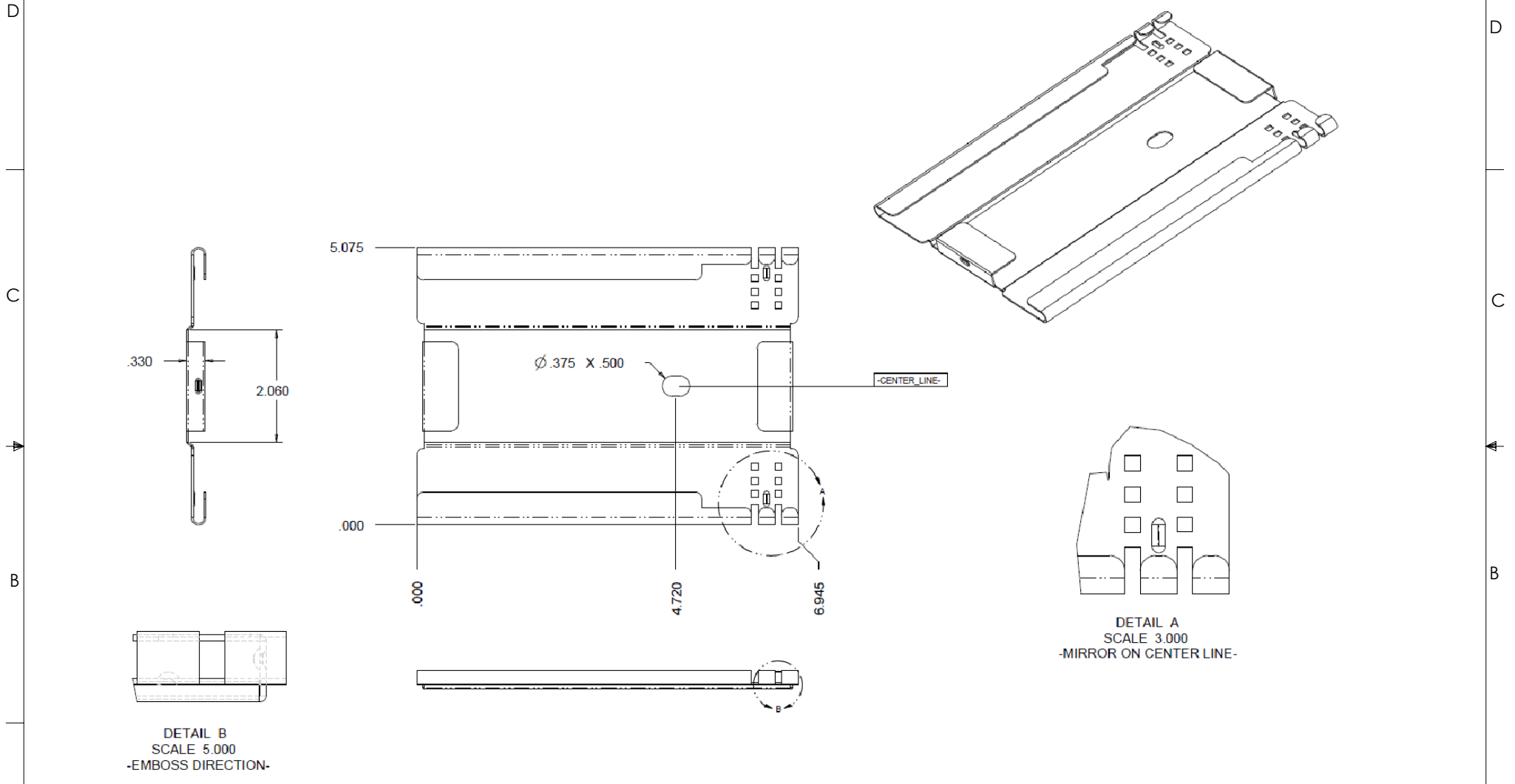


THE INFORMATION CONTAINED IN THIS DRAWING IS THE SOLE PROPERTY OF L-COM, INC. ANY REPRODUCTION IN PART OR WHOLE WITHOUT THE WRITTEN PERMISSION OF L-COM, INC. IS PROHIBITED.

REVISIONS			
REV	DESCRIPTION	DATE	APPROVED
A	INITIAL RELEASE	06/30/10	D.GRIFFIN



<p>UNLESS OTHERWISE SPECIFIED, DIMENSIONS ARE IN INCHES [mm]</p> <p>OVERALL CABLE LENGTH TOLERANCE: ≤ 12 [305] = +1 [25] / -0 >12 [305] ≤ 60 [1524] = +2 [51] / -0 >60 [1524] ≤ 120 [3048] = +4 [102] / -0 >120 [3048] ≤ 300 [7620] = +6 [152] / -0 >300 [7620] = +3% / -0%</p> <p>ALL OTHER DIMENSIONAL TOLERANCES: .X = $\pm .2$.XX = $\pm .02$.XXX = $\pm .005$</p> <p>PROJECTION </p>	<p>APPROVALS</p> <p>DRAWN BY D. PARHAM</p> <p>CHECKED BY D. CASTRO</p> <p>APPROVED BY K. BLOMGREN</p>	<p>DATE</p> <p>06/30/2010</p> <p>06/30/2010</p> <p>06/30/2010</p>	<p>L-com Global Connectivity</p> <p>45 BEECHWOOD DRIVE NORTH ANDOVER, MA 01845</p>	
	<p>CATEGORY</p> <p>RACK/ENCLOSURES</p>			<p>PRODUCT DESCRIPTION</p> <p>FIBER SPLICE TRAY 7" LEXAN COVER</p>
	<p>CONFIGURATION DETAILS OF UNDIMENSIONED FEATURES MAY VARY</p> <p>COLOR VARIATIONS MAY OCCUR</p>	<p>SIZE A</p> <p>FSCM NO. 43321</p> <p>SCALE: NONE</p>	<p>DWG. NO. FE-ST7PC</p> <p>CAD FILE: FE-ST7PC.SLDDRW</p>	