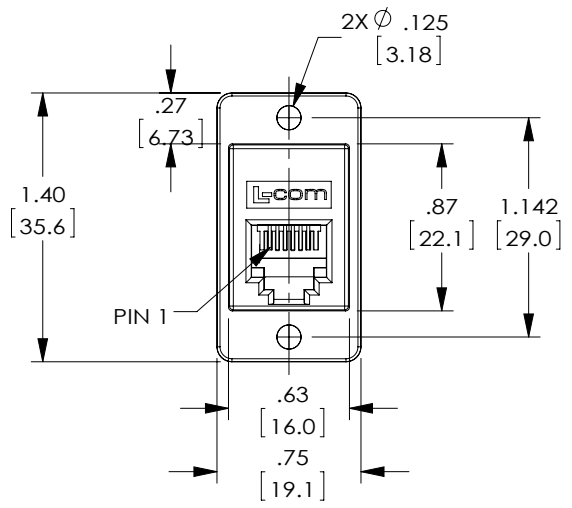


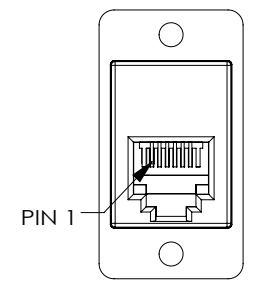
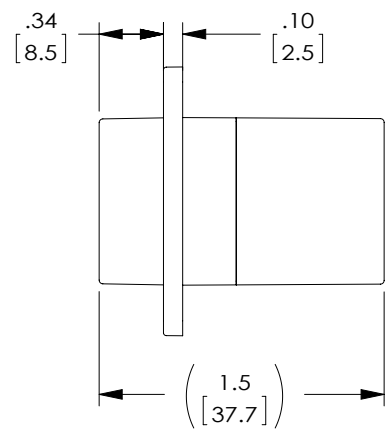
THE INFORMATION CONTAINED IN THIS DRAWING IS THE SOLE PROPERTY OF L-COM, INC. ANY REPRODUCTION IN PART OR WHOLE WITHOUT THE WRITTEN PERMISSION OF L-COM, INC. IS PROHIBITED.

REVISIONS			
REV	DESCRIPTION	DATE	APPROVED
A	CN INITIAL RELEASE	10/27/17	D.CUI

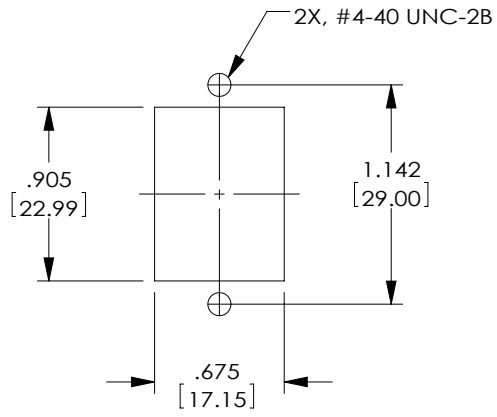


"J1"
RJ12 JACK
(6P6C)

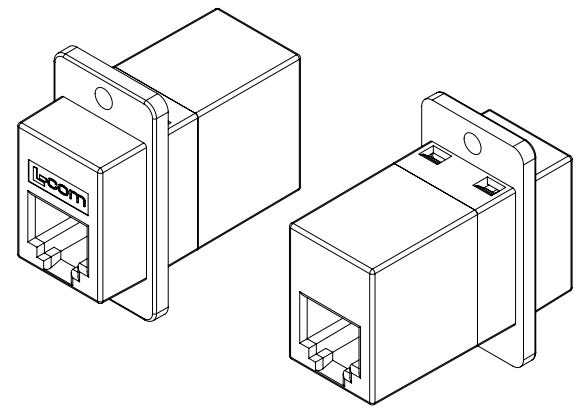
WIRING MAP	
"J1"	"J2"
1	1
2	2
3	3
4	4
5	5
6	6



"J2"
RJ12 JACK
(6P6C)



RECOMMENDED
PANEL CUTOUT



NOTES:

MATERIAL:
HOUSING:ABS,UL94V-0,COLOR:IVORY
CONTACTS:PHOSPHOR BRONZE
CONTACT PLATING:GOLD,30 μ INCHES OVER NICKEL PLATING.

ELECTRICAL:
CURRENT RATING:2 AMPS (MAX.)
VOLTAGE RATING:140 VDC

MISCELLANEOUS:
ALL DIMENSIONS SHOWN ARE FOR REFERENCE ONLY.
OPERATING TEMPERATURE RANGE:-10 °C TO +70 °C.
RATING APPLICATION: CATEGORY 3

COMPONENT SHALL BE INDIVIDUALLY PACKAGED IN ACCORDANCE WITH L-COM SPECIFICATION PS-0031.

REGULATORY COMPLIANCE:
CE2011/65/EU(ROHS DIRECTIVE)

UNLESS OTHERWISE SPECIFIED, DIMENSIONS ARE IN INCHES [mm] OVERALL CABLE LENGTH TOLERANCE: ≤12 [305] = +1 [25] / -0 >12 [305] ≤60 [1524] = +2 [51] / -0 >60 [1524] ≤120 [3048] = +4 [102] / -0 >120 [3048] ≤300 [7620] = +6 [152] / -0 >300 [7620] = +3% / -0%	APPROVALS	DATE		50 HIGH STREET NORTH ANDOVER, MA 01845
	DRAWN BY D.CUI	07/04/17		
ALL OTHER DIMENSIONAL TOLERANCES: .X = ± .2 [5.08] .XX = ± .02 [1.51] .XXX = ± .005 [1.13]	CHECKED BY S.PAN	07/04/17	CATEGORY	
	APPROVED BY D.GUITADAURO	07/04/17	TELECOM/MODULAR	
PROJECTION	CONFIGURATION DETAILS OF UNDIMENSIONED FEATURES MAY VARY		PRODUCT DESCRIPTION	
	COLOR VARIATIONS MAY OCCUR	SIZE A	FSCM NO. 43321	DWG. NO. ECF5046S-IV
		SCALE: NONE	CAD FILE: ECF5046S-IV.SLDDRW	REV. A
				SHEET 1 OF 1