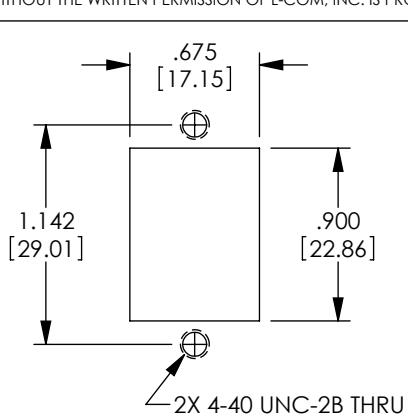


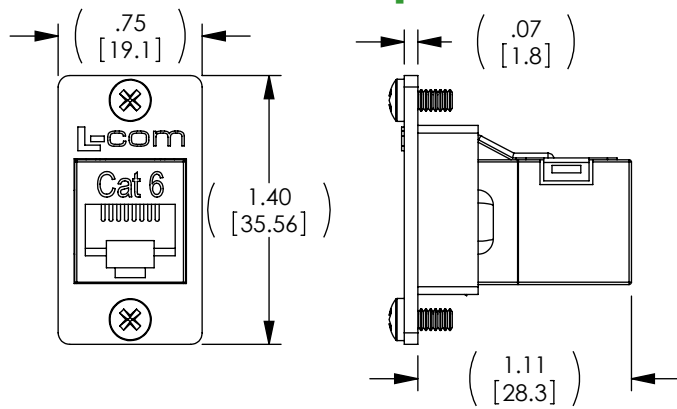
THE INFORMATION CONTAINED IN THIS DRAWING IS THE SOLE PROPERTY OF L-COM, INC. ANY REPRODUCTION IN PART OR WHOLE WITHOUT THE WRITTEN PERMISSION OF L-COM, INC. IS PROHIBITED.

RoHS Compliant ✓

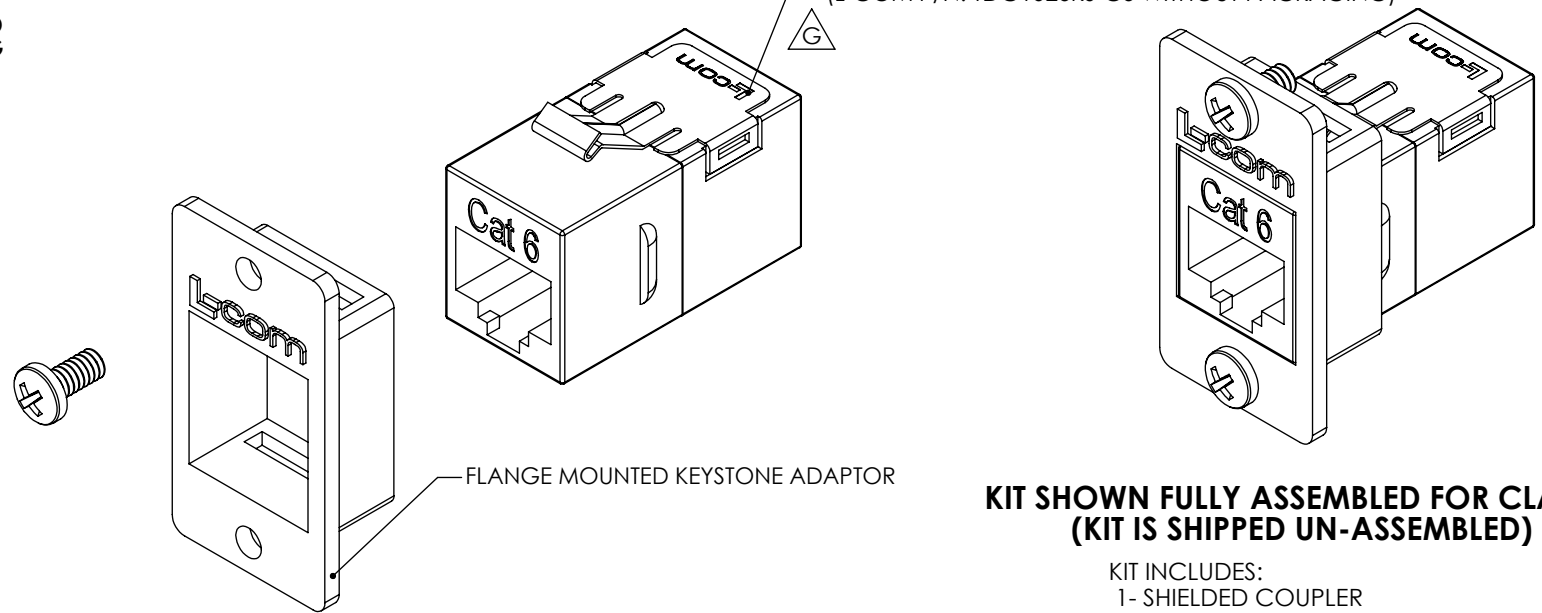
REVISIONS			
REV	DESCRIPTION	DATE	APPROVED
F	ECN 4353: ADDED ROHS STAMP, ADDED METRIC DIMENSIONS	11/4/09	D.FRISIELLO
G	ECN 6492: CHANGED NOTE TO "TDG1026KS-C6" WITHOUT PKG. UPD LOGO	10/29/12	D. DESJARDIN



**RECOMMENDED
PANEL OPENING**



CAT6 - SHIELDED RJ45 KEYSTONE FEED-THRU COUPLER
(L-COM P/N: TDG1026KS-C6 WITHOUT PACKAGING)



**KIT SHOWN FULLY ASSEMBLED FOR CLARITY
(KIT IS SHIPPED UN-ASSEMBLED)**

- KIT INCLUDES:**
- 1- SHIELDED COUPLER
 - 1- FLANGE ADAPTOR
 - 1- PACKAGE MOUNTING SCREWS (4-40x 1/4")

NOTE:

MATERIAL
FLANGED ADAPTOR: ZINC ALLOY
HARDWARE: STAINLESS STEEL

FINISH
FLANGED ADAPTOR: NICKEL PLATE

VOLTAGE RATING: 36V

**KIT SHALL BE INDIVIDUALLY PACKAGED IN ACCORDANCE
WITH L-COM SPECIFICATION PS-0031.**

UNLESS OTHERWISE SPECIFIED, DIMENSIONS ARE IN INCHES [mm] OVERALL CABLE LENGTH TOLERANCE: ≤12 [305] = +1 [25] / -0 >12 [305] ≤60 [1524] = +2 [51] / -0 >60 [1524] ≤120 [3048] = +4 [102] / -0 >120 [3048] ≤300 [7620] = +6 [152] / -0 >300 [7620] = +3% / -0% ALL OTHER DIMENSIONAL TOLERANCES: .X = ±.2 .XX = ±.05 .XXX = ±.005	APPROVALS DRAWN BY B.MAZEJKA CHECKED BY D.PARHAM APPROVED BY R.CARRICK	DATE 07/01/2003 07/02/2003 07/03/2003		45 BEECHWOOD DRIVE NORTH ANDOVER, MA 01845	
	PROJECTION 			CATEGORY TELECOM/MODULAR	
	CONFIGURATION DETAILS OF UNDIMENSIONED FEATURES MAY VARY		PRODUCT DESCRIPTION CAT 6 SHLD RJ45 PNL CPLR KIT	SIZE A FSCM NO. 43321 DWG. NO. ECF504-SC6 REV. G	
	COLOR VARIATIONS MAY OCCUR		SCALE: NONE CAD FILE: ECF504-SC6.SLDDRW SHEET 1 OF 1		