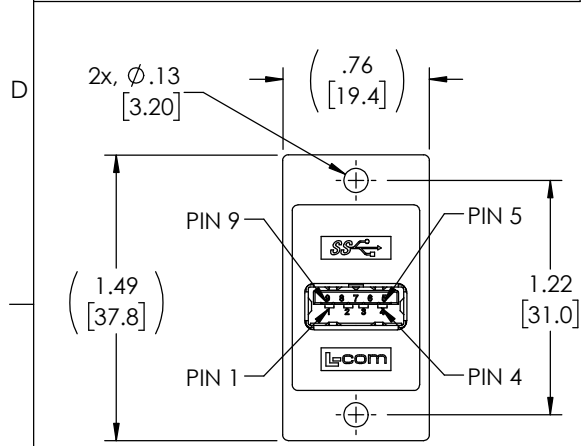
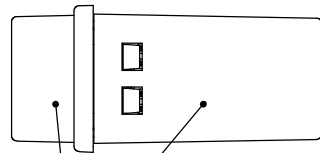
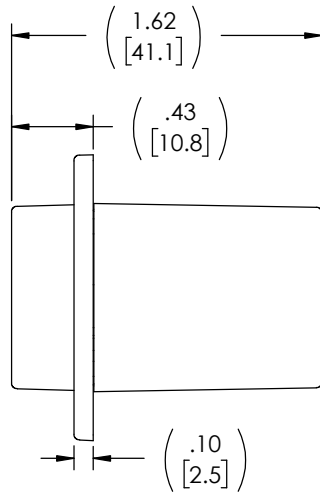


THE INFORMATION CONTAINED IN THIS DRAWING IS THE SOLE PROPERTY OF L-COM, INC. ANY REPRODUCTION IN PART OR WHOLE WITHOUT THE WRITTEN PERMISSION OF L-COM, INC. IS PROHIBITED.

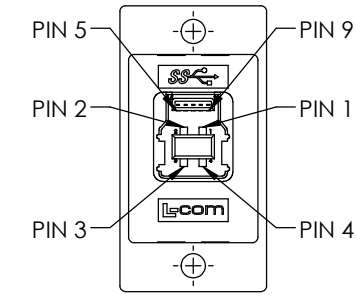
REVISIONS			
REV	DESCRIPTION	DATE	APPROVED
A	INITIAL RELEASE	11/23/2020	D.DUTTADAURO



"J1"
USB 3.0 TYPE "A"
FEMALE CONNECTOR
30u" GOLD PLATED CONTACTS
NICKEL PLATED SHELL

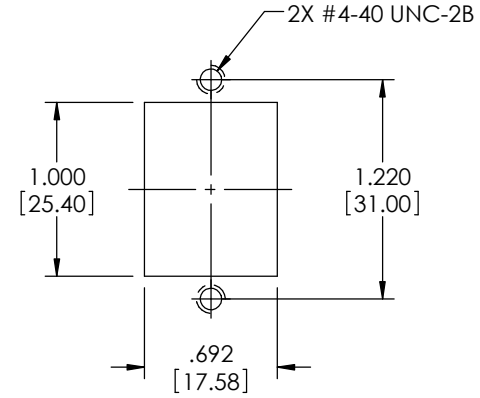


ABS COUPLER HOUSING,
COLOR: BLACK



"J2"
USB 3.0 TYPE "B"
FEMALE CONNECTOR
30u" GOLD PLATED CONTACTS
NICKEL PLATED SHELL


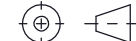
"J1"	WIRING MAP	"J2"
1	_____	1
2	_____	2
3	_____	3
4	_____	4
5	_____	5
6	_____	6
7	_____	7
8	_____	8
9	_____	9
SHELL	_____	SHELL



RECOMMENDED
PANEL CUTOUT

NOTES:

- RATING:
CURRENT: 1.8A (P1 & P4 CONTACTS); 0.25A(OTHER CONTACTS)
VOLTAGE: 30V max.
OPERATING TEMPERATURE: -10°C TO +70°C.
- COUPLER SHALL BE TESTED FOR CONTINUITY.
- COUPLER SHALL BE INDIVIDUALLY PACKAGED IN ACCORDANCE WITH L-COM PACKAGING SPEC PS-0031.

UNLESS OTHERWISE SPECIFIED, DIMENSIONS ARE IN INCHES [mm] OVERALL CABLE LENGTH TOLERANCE: $\le 12 [305]$ = +1 [25] / -0 >12 [305] $\le 60 [1524]$ = +2 [51] / -0 >60 [1524] $\le 120 [3048]$ = +4 [102] / -0 >120 [3048] $\le 300 [7620]$ = +6 [152] / -0 >300 [7620] = +5% / -0 ALL OTHER DIMENSIONAL TOLERANCES: .X = $\pm .2 [5]$ FRACTIONS .XX = $\pm .02 [5]$ $\pm 1/32$.XXX = $\pm .005 [13]$ ANGLES $\pm 1^\circ$	APPROVALS	DATE	 an INFINITI® brand	50 High Street, West Mill, North Andover, MA 01845 USA. Phone: 1.800.341.5266 1.978.682.6936
	DRAWN BY B.ZHANG	08/18/2020		
	CHECKED BY D.CONTROL	08/18/2020	PRODUCT DESCRIPTION USB 3.0 COUPLER PNL MNT AF-BF BLACK	
	APPROVED BY D.GUITADAURO	08/18/2020	SIZE A	CAGE CODE 43321
THIRD-ANGLE PROJECTION 	CONFIGURATION DETAILS OF UNDIMENSIONED FEATURES MAY VARY	COLOR VARIATIONS MAY OCCUR	DWG. NO. ECF504-3AB-BLK	REV. A
	SCALE: NONE	CAD FILE: ECF504-3AB-BLK.SLDDRW	SHEET 1 OF 1	