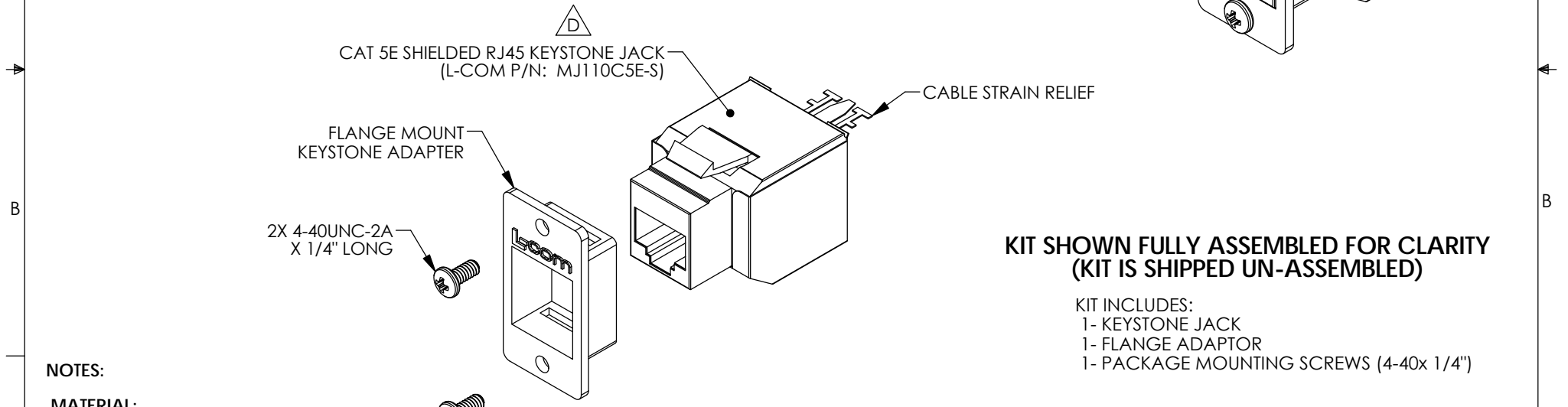
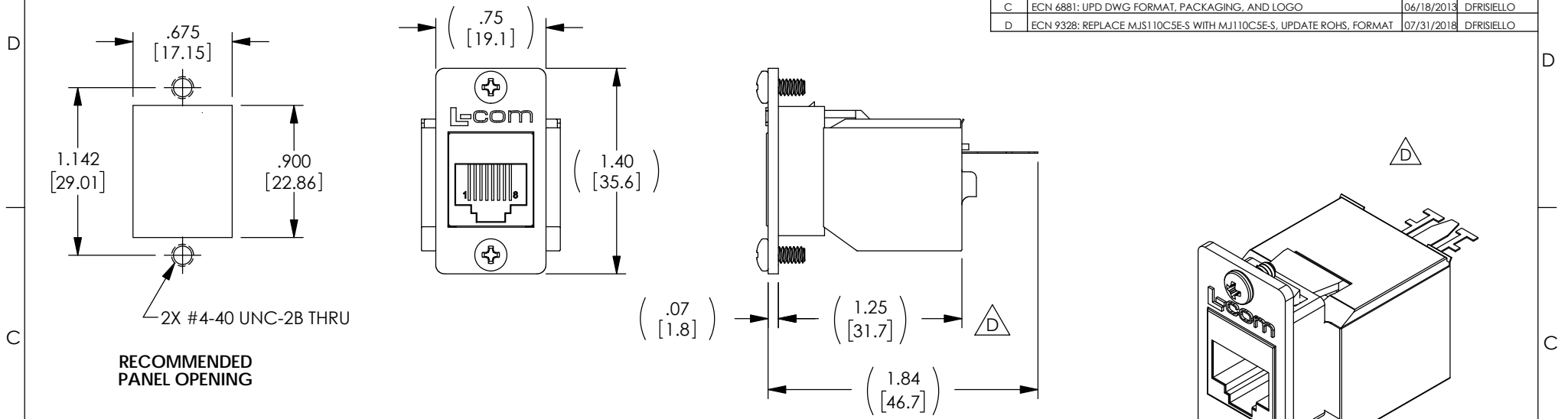


THE INFORMATION CONTAINED IN THIS DRAWING IS THE SOLE PROPERTY OF L-COM, INC. ANY REPRODUCTION IN PART OR WHOLE WITHOUT THE WRITTEN PERMISSION OF L-COM, INC. IS PROHIBITED.

REVISIONS			
REV	DESCRIPTION	DATE	APPROVED
A	INITIAL RELEASE	06/03/2004	DFRISIELLO
B	ECN 2427: ADDED KIT CONTENTS	05/30/2004	DFRISIELLO
C	ECN 6881: UPD DWG FORMAT, PACKAGING, AND LOGO	06/18/2013	DFRISIELLO
D	ECN 9328: REPLACE MJS110C5E-S WITH MJ110C5E-S, UPDATE ROHS, FORMAT	07/31/2018	DFRISIELLO



NOTES:

MATERIAL:
 FLANGED ADAPTOR: ZINC ALLOY
 HARDWARE: STAINLESS STEEL.

FINISH:
 FLANGED ADAPTOR: NICKEL PLATE.

PACKAGING:
 KITS SHALL BE INDIVIDUALLY PACKAGED IN ACCORDANCE WITH L-COM PACKAGING SPECIFICATION PS-0031.

REGULATORY COMPLIANCE:
 CE2011/65/EU(RoHS DIRECTIVE)

UNLESS OTHERWISE SPECIFIED, DIMENSIONS ARE IN INCHES [mm] OVERALL CABLE LENGTH TOLERANCE: ≤12 [305] = +1 [25] / -0 >12 [305] ≤60 [1524] = +2 [51] / -0 >60 [1524] ≤120 [3048] = +4 [102] / -0 >120 [3048] ≤300 [7620] = +6 [152] / -0 >300 [7620] = +5% / -0%	APPROVALS	DATE		50 HIGH STREET NORTH ANDOVER, MA 01845
	DRAWN BY DFRISIELLO	06/03/2004		CATEGORY TELECOM/MODULAR
ALL OTHER DIMENSIONAL TOLERANCES: .X = ± .2 [5.08] .XX = ± .02 [1.51] .XXX = ± .005 [1.13]	CHECKED BY DGUTTADAURO	06/03/2004	PRODUCT DESCRIPTION JACK RJ45/110 FLNG SHLD	SIZE A FSCM NO. 43321 DWG. NO. ECF110C5E-S REV. D
	APPROVED BY DGUTTADAURO	06/03/2004		
PROJECTION 	SCALE: NONE CAD FILE: ECF110C5E-S.SLDDRW		SHEET 1 OF 1	