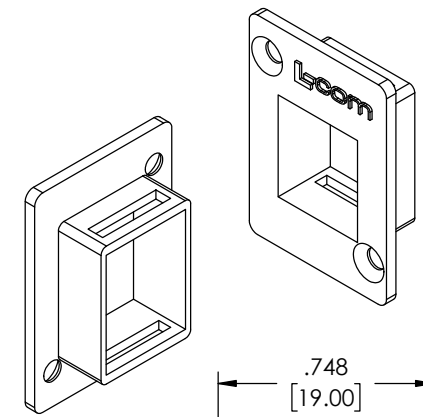
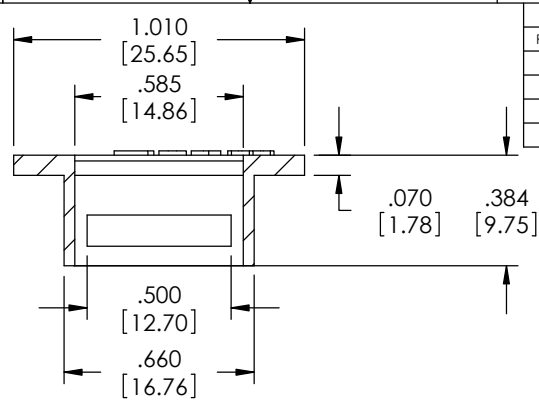
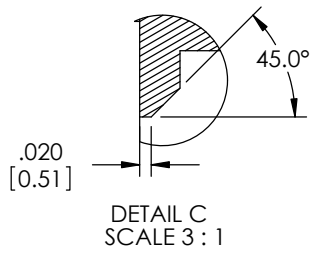


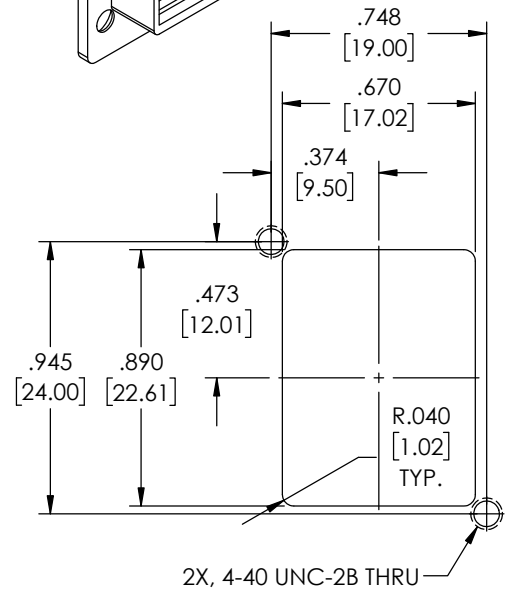
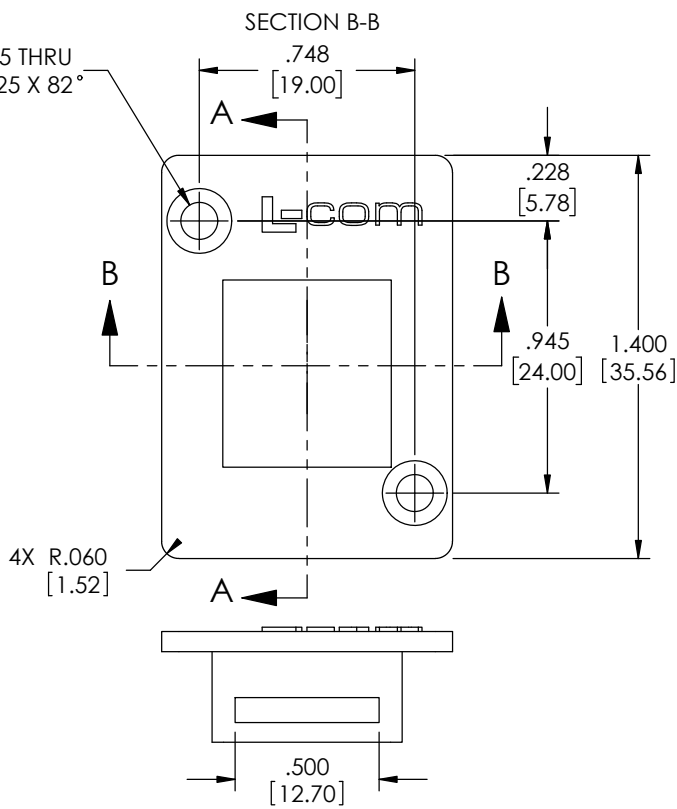
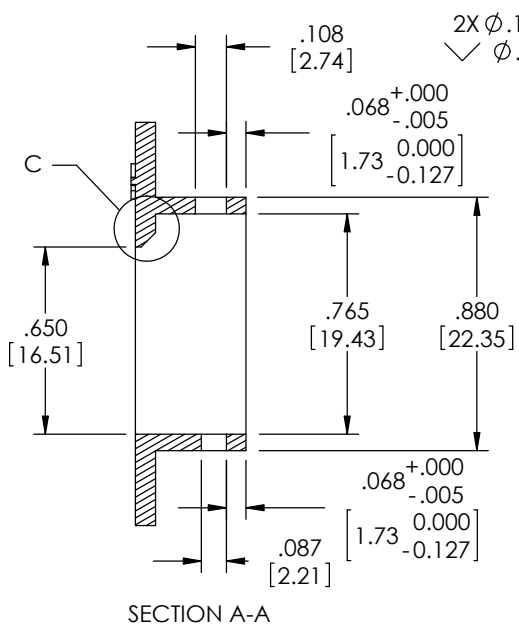
THE INFORMATION CONTAINED IN THIS DRAWING IS THE SOLE PROPERTY OF L-COM, INC. ANY REPRODUCTION IN PART OR WHOLE WITHOUT THE WRITTEN PERMISSION OF L-COM, INC. IS PROHIBITED.

REVISIONS			
REV	DESCRIPTION	DATE	APPROVED
A	INITIAL RELEASE	11/19/2012	D.GRIFFIN
B	ECN 6661: UPDATED PKG TO 10 PER BAG AND DRAWING # TO ECF-XLR-10	01/31/2013	D.DESJARDIN
C	ECN 6771: UPDATED SLOT DIMENSIONS ON SECTION A-A	04/03/2013	D.DESJARDIN
D	ECN 9293: ADDED RECOMMENDED PANEL CUTOUT, REVISED NOTES	07/09/2018	DFRISIELLO

D



C



D

C

B



**NOTES:**  
**MATERIAL:** ZINC ALLOY  
**FINISH:** NICKEL PLATE

**MISCELLANEOUS:**  
FLASH AND PARTING LINE MISMATCH: .003 MAX

COMPONENT SHALL BE PACKAGED IN BULK 10 PIECES PER BAG IN ACCORDANCE WITH L-COM SPECIFICATION PS-0031.

**REGULATORY COMPLIANCE:**  
CE2011/65/EU (RoHS DIRECTIVE)

UNLESS OTHERWISE SPECIFIED, DIMENSIONS ARE IN INCHES [mm] OVERALL CABLE LENGTH TOLERANCE: ≤12 [305] = +1 [25] / -0 >12 [305] ≤60 [1524] = +2 [51] / -0 >60 [1524] ≤120 [3048] = +4 [102] / -0 >120 [3048] ≤300 [7620] = +6 [152] / -0 >300 [7620] = +5% / -0% ALL OTHER DIMENSIONAL TOLERANCES: .X = ±.2 [5.08] .XX = ±.02 [51] .XXX = ±.005 [1.27]	APPROVALS	DATE
	DRAWN BY DFRISIELLO	11/16/2012
	CHECKED BY D.GALLAGHER	11/16/2012
	APPROVED BY D.GALLAGHER	11/16/2012
PROJECTION 	CONFIGURATION DETAILS OF UNDIMENSIONED FEATURES MAY VARY	COLOR VARIATIONS MAY OCCUR

		50 HIGH STREET NORTH ANDOVER, MA 01845	
CATEGORY		TELECOM/MODULAR	
PRODUCT DESCRIPTION			
FLANGE MNT-KEYSTONE ADPT FOR XLR STYLE MNT			
SIZE <b>A</b>	FSCM NO. <b>43321</b>	DWG. NO. <b>ECF-XLR-10</b>	REV. <b>D</b>
SCALE: NONE		CAD FILE: ECF-XLR-10.SLDRW	
			SHEET 1 OF 1

A

A