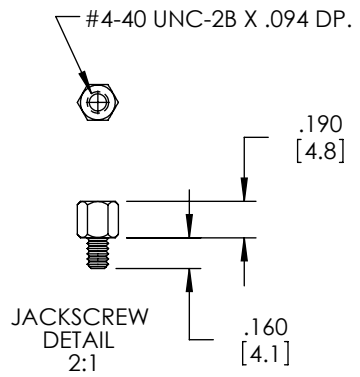
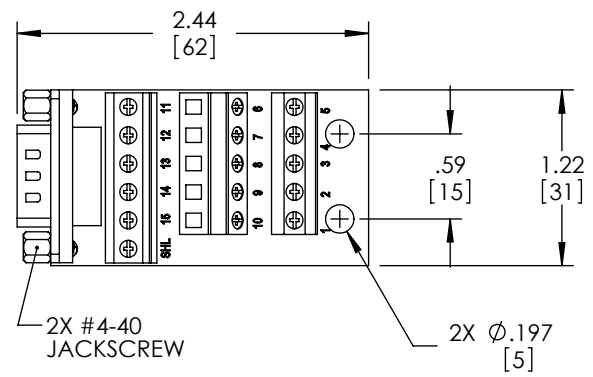
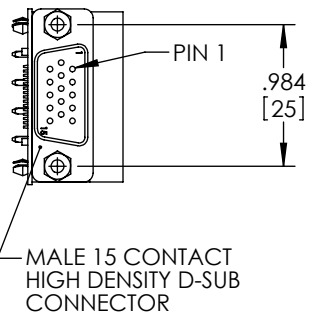
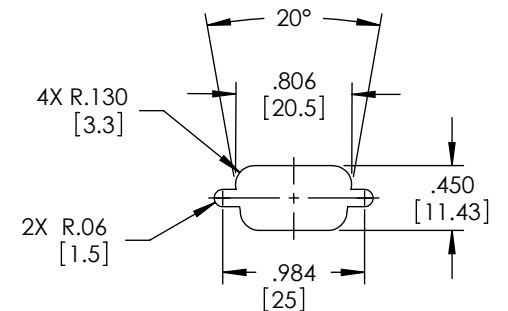
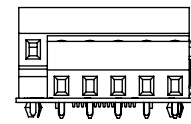
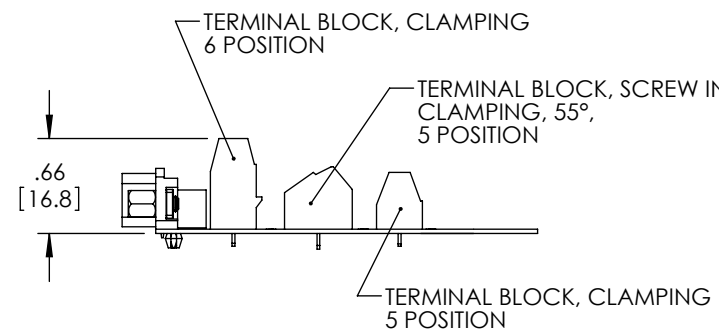


THE INFORMATION CONTAINED IN THIS DRAWING IS THE SOLE PROPERTY OF L-COM, INC. ANY REPRODUCTION IN PART OR WHOLE WITHOUT THE WRITTEN PERMISSION OF L-COM, INC. IS PROHIBITED.

REVISIONS			
REV	DESCRIPTION	DATE	APPROVED
A	INITIAL RELEASE	8/19/10	D.GRIFFIN
B	ECN 5463: ADDED PANEL CUTOUT	4/26/11	D. CASTRO
-	-	-	-
-	-	-	-



WIRE MAP		
DB15	TERMINAL BLOCK	SIGNAL
1	1	RED
2	2	GREEN
3	3	BLUE
4	4	ID2
5	5	GND
6	6	RED SHIELD
7	7	GREEN SHIELD
8	8	BLUE SHIELD
9	9	DDV +5
10	10	SNC RTN
11	11	ID0
12	12	ID1
13	13	HRZ SNC
14	14	VER SNC
15	15	ID3
GND	SHL	SHL



RECOMMENDED PANEL OPENING (MAX PANEL THICKNESS: 0.06")

NOTES:

- VOLTAGE RATING: 1000V AC & 500V DC.
- COMPONENT SHALL BE TESTED FOR CONTINUITY.
- COMPONENT SHALL BE INDIVIDUALLY PACKAGED IN ACCORDANCE WITH L-COM SPEC. PS-0031.

RoHS Compliant ✓

UNLESS OTHERWISE SPECIFIED, DIMENSIONS ARE IN INCHES [mm] OVERALL CABLE LENGTH TOLERANCE: ≤12 [305] = +1 [25] / -0 >12 [305] ≤60 [1524] = +2 [51] / -0 >60 [1524] ≤120 [3048] = +4 [102] / -0 >120 [3048] ≤300 [7620] = +6 [152] / -0 >300 [7620] = +3% / -0%	APPROVALS	DATE		45 BEECHWOOD DRIVE NORTH ANDOVER, MA 01845
	DRAWN BY D. CASTRO	8/18/10		
ALL OTHER DIMENSIONAL TOLERANCES: .X = ±.2 .XX = ±.02 .XXX = ±.005	CHECKED BY D. PARHAM	8/18/10	CATEGORY DATA	
	APPROVED BY S. SMITH	8/18/10	PRODUCT DESCRIPTION CONN, HD15M FIELD TERMINATION	
PROJECTION 	CONFIGURATION DETAILS OF UNDIMENSIONED FEATURES MAY VARY	COLOR VARIATIONS MAY OCCUR	SIZE A	FSCM NO. 43321
			DWG. NO. DGBH15MT1	REV. B
			SCALE: NONE	CAD FILE: DGBH15MT1.SLDDRW
				SHEET 1 OF 1