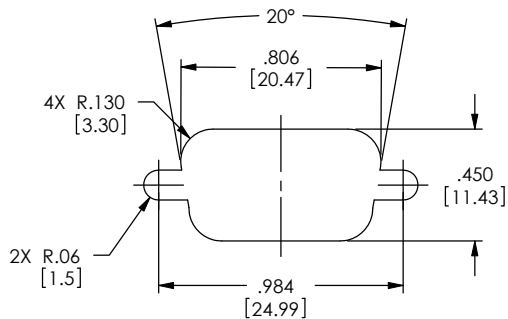


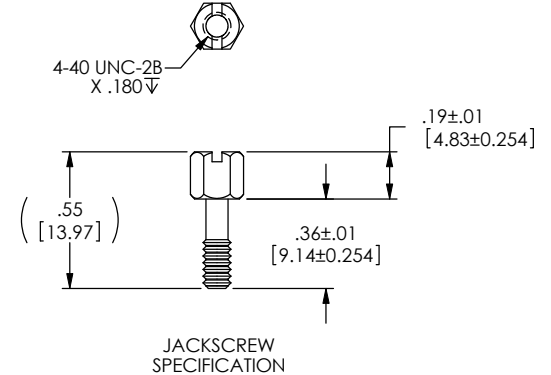
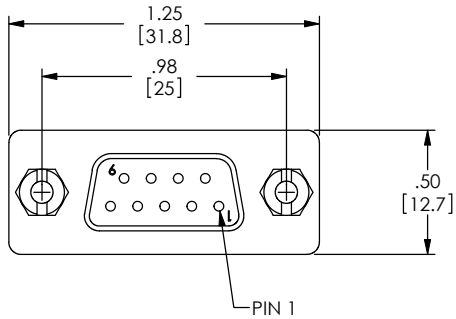
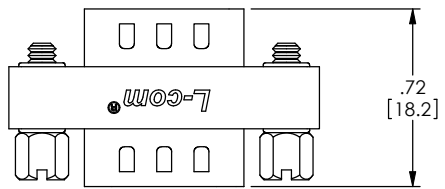
THE INFORMATION CONTAINED IN THIS DRAWING IS THE SOLE PROPERTY OF L-COM, INC. ANY REPRODUCTIONS IN PART OR WHOLE WITHOUT THE WRITTEN PERMISSION OF L-COM, INC. IS PROHIBITED.

REVISIONS			
REV	DESCRIPTION	DATE	CHANGED BY
G	ECN 99999: UPDATED DRAWING AND NEW FORMAT	1/20/10	D.FRISIELLO
H	ECN 5937: ADDED NOTE FOR PANEL MOUNTING	1/23/12	D.FRISIELLO



RECOMMENDED PANEL OPENING  
(MAX PANEL THICKNESS: 0.06")

**NOTE: DIFFERENT STANDOFFS AND JACK SCREWS ARE REQUIRED FOR PANEL MOUNTING. SEE WWW.L-COM.COM OR MASTER CATALOG FOR DETAILS.**



**NOTES:**  
 MATERIAL:  
 SHELL: STEEL  
 CONTACTS: COPPER ALLOY  
 HARDWARE: BRASS  
 INSULATOR: PBT FIBER REINFORCED (UL94V-0 RATED)

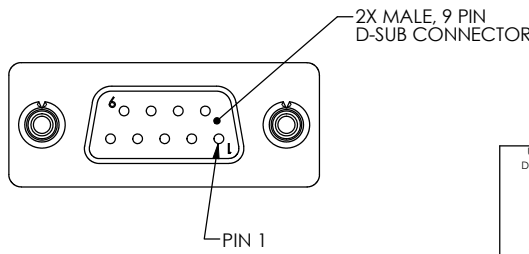
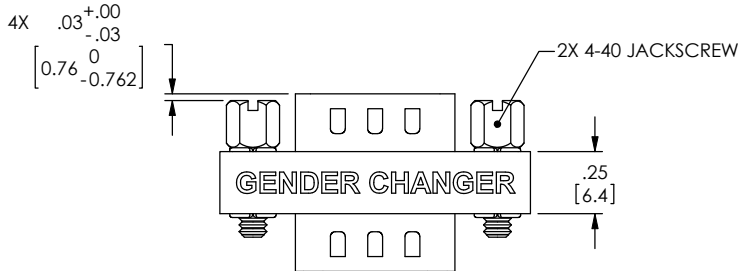
**FINISH:**  
 SHELL: TIN/NICKEL PLATED  
 CONTACTS: GOLD FLASH PLATED, 1-5μ INCHES  
 HARDWARE: NICKEL PLATED

**ELECTRICAL:**  
 CURRENT RATING: 3 AMP  
 INSULATION RESISTANCE: 1000 MΩ MIN @500 VDC  
 DIELECTRIC WITHSTANDING VOLTAGE: 1000 VAC (FOR ONE MINUTE)

**MISCELLANEOUS:**  
 OPERATING TEMPERATURE RANGE: -55°C TO +105°C.  
 ALL PINS WIRED STRAIGHT THROUGH.  
 COMPONENT SHALL BE TESTED FOR CONTINUITY.

**LABELING:**  
 PANTONE 2945 BLUE. "L-COM" FONT MyriaMM ITALIC.  
 "GENDER CHANGER" FONT ARIAL BOLD, TEXT HEIGHTS: .085"  
 TEXT COLOR: WHITE.

**PACKAGING:**  
 COMPONENT SHALL BE INDIVIDUALLY PACKAGED IN ACCORDANCE WITH L-COM SPECIFICATION PS-0031.



RoHS Compliant ✓

UNLESS OTHERWISE SPECIFIED, DIMENSIONS ARE IN INCHES (MM)	APPROVALS	DATE
DIMENSIONAL TOLERANCES: .X = ±.1 .XX = ±.01 .XXX = ±.005	DRAWN BY D.PARIAM	11/12/2001
ANGULAR TOLERANCES: ALL = ± 1°	CHECKED BY T.CLARK	11/12/2001
	APPROVED BY R.CARRICK	11/13/2001
PROJECTION	CONFIGURATION DETAILS OF UNDIMENSIONED FEATURES MAY VARY COLOR VARIATIONS MAY OCCUR	

		45 BEECHWOOD DRIVE NORTH ANDOVER, MA 01845	
CATEGORY: D-SUBMINIATURE			
PRODUCT DESCRIPTION: ADPT, GNDR CHGR DB9 SLIM M/M			
SIZE: B	PSCM NO.: 43321	EWG. NO.: DGB9M	REV.: H
SCALE: 2:1		CAD FILE: DGB9M.SLDDRW	
			SHEET 1 OF 1