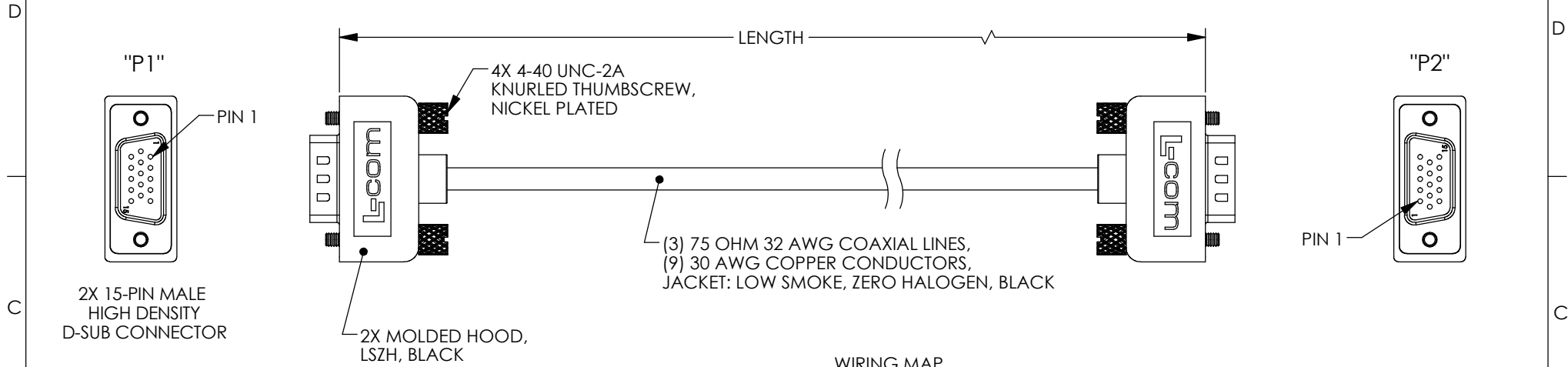


THE INFORMATION CONTAINED IN THIS DRAWING IS THE SOLE PROPERTY OF L-COM, INC. ANY REPRODUCTION IN PART OR WHOLE WITHOUT THE WRITTEN PERMISSION OF L-COM, INC. IS PROHIBITED.

REVISIONS			
REV	DESCRIPTION	DATE	APPROVED
E	ECN 6807: REVISED L-COM LOGO'S, NEW FORMAT, REVISED PACKAGING	4/18/13	D.FRISIELLO
F	ECN 7355: REVISED POSITION OF PIN 1 CALL OUTS, ROHS NOTE, FORMAT	3/25/14	D.FRISIELLO
G	ECN 7693: CHANGED GREEN COAX TO YELLOW COAX	12/1/14	D.FRISIELLO
H	ECN 10839: REVISE YELLOW COAX TO GREEN COAX. ADD LSZH CBL CHARACTERISTICS TO DWG. NEW FORMAT	12/10/2020	M.BLACKWOOD



NOTES:

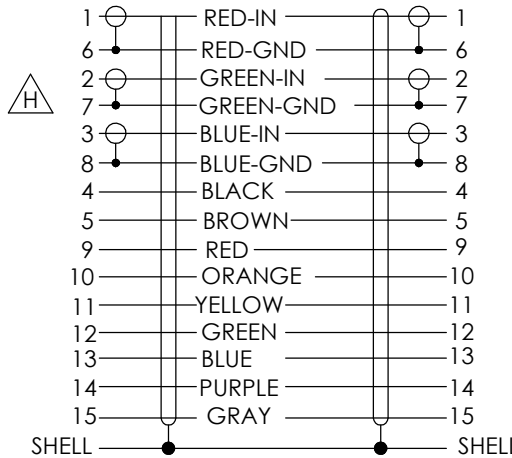
1. CABLE ASSEMBLY SHALL BE TESTED FOR CONTINUITY.
2. CABLE ASSEMBLY SHALL BE INDIVIDUALLY PACKAGED IN ACCORDANCE WITH L-COM SPECIFICATION PS-0031.

LSZH CABLE CHARACTERISTICS:

FLAME RATING: IEC 60332-1
 CORROSIVE GAS: IEC 60754
 SMOKE EMISSION: IEC 61034

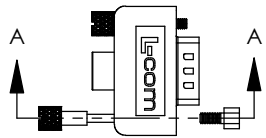


WIRING MAP



MODEL NUMBER	LENGTH FEET [METERS]
CTL3VGAMM-5TZ	5.0 [1.52]
CTL3VGAMM-10TZ	10.0 [3.05]
CTL3VGAMM-15TZ	15.0 [4.57]
CTL3VGAMM-25TZ	25.0 [7.62]
CTL3VGAMM-50TZ	50.0 [15.24]

MOUNTING HARDWARE DETAIL



4-40 THREAD
 X .120 DEEP
 ± .010

SECTION A-A
 SCALE 1 : 2

CABLES ARE SHIPPED WITH THUMBSCREWS INSTALLED AND FOUR HEX SCREW LOCKS FOR OPTIONAL USE. THUMBSCREWS MAY BE REMOVED EASILY AND THE HEX SCREW LOCKS MOUNTED IN THE CAPTIVE NUTS OF THE CONNECTOR.

UNLESS OTHERWISE SPECIFIED, DIMENSIONS ARE IN INCHES [mm] OVERALL CABLE LENGTH TOLERANCE: ≤12 [305] = +1 [25] / -0 >12 [305] ≤60 [1524] = +2 [51] / -0 >60 [1524] ≤120 [3048] = +4 [102] / -0 >120 [3048] ≤300 [7620] = +6 [152] / -0 >300 [7620] = +5% / -0 ALL OTHER DIMENSIONAL TOLERANCES: .X = ± .2 [5] FRACTIONS ± 1/32 .XX = ± .02 [5] ANGLES ± 1° .XXX = ± .005 [13]	APPROVALS DRAWN BY: D.PARHAM CHECKED BY: M.LAHEY APPROVED BY: C.MCCORMICK	DATE 07/14/2005 08/10/2005 08/10/2005	50 High Street, West Mill, North Andover, MA 01845 USA. Phone: 1.800.341.5266 1.978.682.6936
	CONFIGURATION DETAILS OF UNDIMENSIONED FEATURES MAY VARY COLOR VARIATIONS MAY OCCUR	CATEGORY: AUDIO/VIDEO PRODUCT DESCRIPTION: THIN LINE LSZH VIDEO CABLE ASSY M/M	
THIRD-ANGLE PROJECTION 	SIZE: A CAGE CODE: 43321 SCALE: NONE	DWG. NO.: CTL3VGAMM-TZ CAD FILE: CTL3VGAMM-TZ.SLDDRW	REV. H SHEET 1 OF 1