

REVISION					
ZONE	REV	DESCRIPTION	DATE	CHANGED BY	APPROVED
	A	INITIAL RELEASE	02/02/2024	KGLEBOVA	GUTTADAURO

F

E

D

C

B

A

F

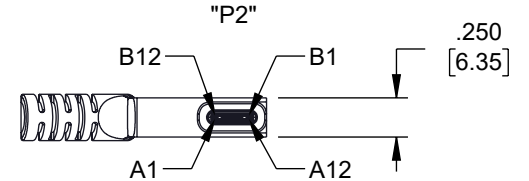
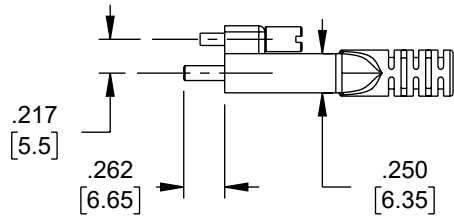
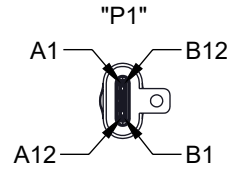
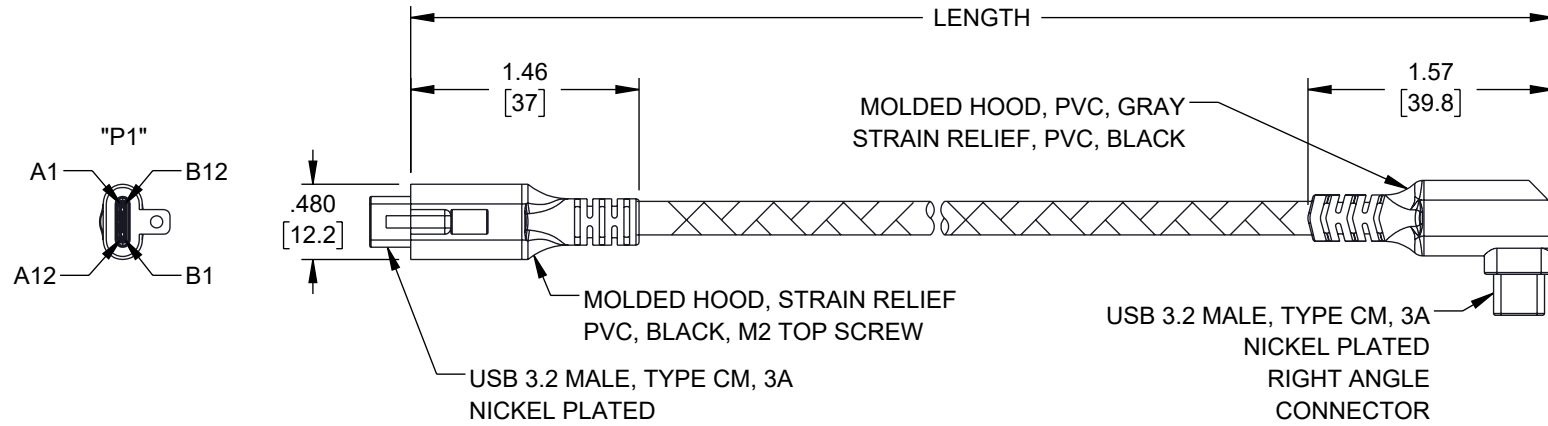
E

D

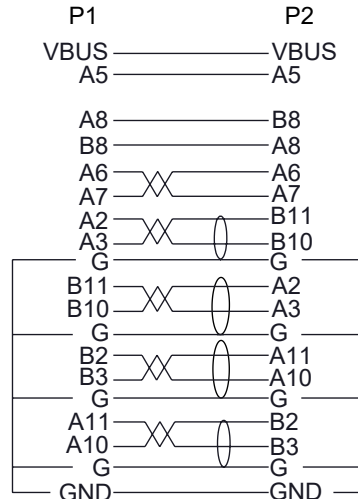
C

B

A



WIRING DIAGRAM



NOTES:

- CABLE: (32AWG*1P+D+AL+HM)*4C+32AWG*1P+32AWG*4C+24AWG*2C+F+D(24AWG), OD: 5.2mm ± 0.2 mm
JACKET: PVC, BLACK, NYLON BRAID, BLACK.

ELECTRICAL TEST:

- 100% OPEN SHORT MISS WIRE TEST
- CONTACT RESISTANCE: 5 OHM MAX.
- INSULATION RESISTANCE: 10M OHM MIN.
- HI-POT TEST: DC 300V/10 ms
- PASS 5Gbps/5V3A TEST

MISCELLANEOUS:

- CABLE ASSEMBLY TO BE TESTED FOR CONTINUITY.
- CABLE ASSEMBLY SHALL BE INDIVIDUALLY PACKAGED.

THE INFORMATION CONTAINED IN THIS DRAWING IS THE SOLE PROPERTY OF INFINITE ELECTRONICS, INC. ANY REPRODUCTION IN PART OR WHOLE WITHOUT THE WRITTEN PERMISSION OF INFINITE ELECTRONICS, INC. IS PROHIBITED. THESE COMMODITIES, TECHNOLOGY OR SOFTWARE WERE EXPORTED FROM THE UNITED STATES IN ACCORDANCE WITH THE EXPORT ADMINISTRATION REGULATIONS. DIVERSION CONTRARY TO U.S. LAW PROHIBITED.

ITEM NO	LENGTH [TOL.]	
	METERS [mm]	FEET [IN]
CAU32CC-MLMRA-1M	1 [+35/-20]	3.28 [+1.38/- .79]
CAU32CC-MLMRA-3M	3 [+35/-30]	9.84 [+1.38/-1.18]

UNLESS OTHERWISE SPECIFIED LEADING DIMENSIONS ARE INCHES DIMENSIONS IN [] ARE MILLIMETERS

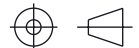
TOLERANCES:
 X = ±.2 [5] FRACTIONS ± 1/32
 .XX = ±.02 [0.5] ANGLES ± 1°
 .XXX = ±.005 [0.13]

CABLE LENGTH TOLERANCES:
 ≤12 [305] = +1 [25] / -0
 >12 [305] ≤ 60 [1524] = +2 [51] / -0
 >60 [1524] ≤ 120 [3048] = +4 [102] / -0
 >120 [3048] ≤ 300 [7620] = +6 [152] / -0
 >300 [7620] = +5% / -0

ALL DIMENSIONS ARE FOR REFERENCE ONLY AND SUBJECT TO CHANGE WITHOUT NOTICE. UN-DIMENSIONED NON-CRITICAL FEATURES MAY VARY IN SIZE AND LOCATION. COLORS MAY VARY.



Website: www.L-com.com
 Phone: 1.800.341.5266 | 1.978.682.6936



INTERPRET ALL DIMENSIONS AND TOLERANCES PER ASME Y14.5

SCALE	SHEET
NONE	1 OF 1

DESCRIPTION
 USB 3.2 USB C MALE TOP SCREW ONE SIDES - ONE SIDE RIGHT ANGLE, 5V, 3A, 5GBPS

SIZE	CAGE CODE	DRAWN BY	ITEM NO.	REV
A	43321	KGLEBOVA	CAU32CC-MLMRA	A