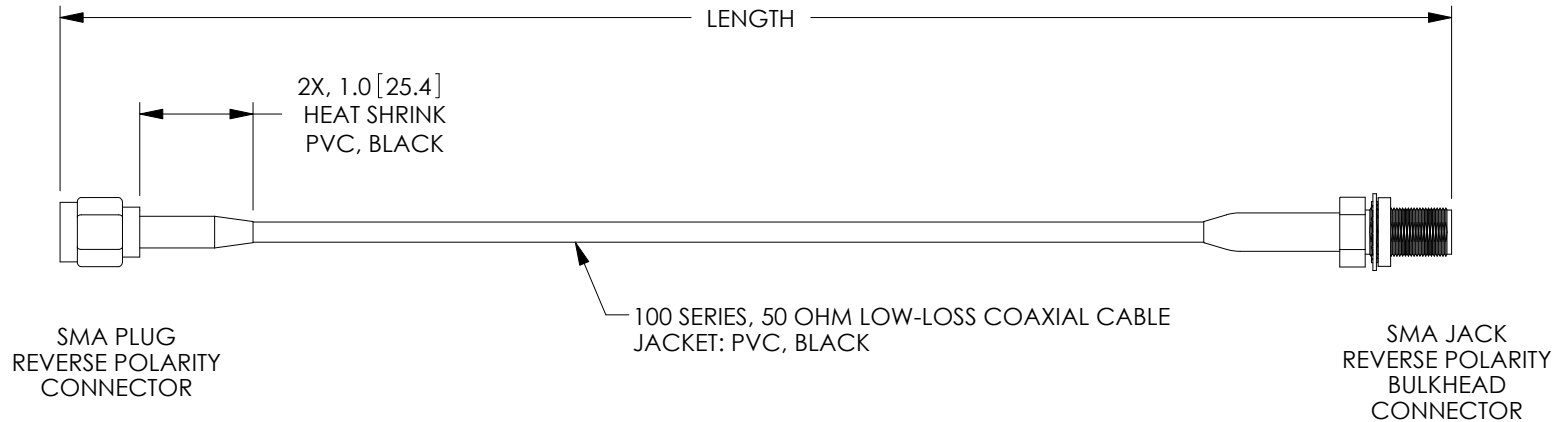


THE INFORMATION CONTAINED IN THIS DRAWING IS THE SOLE PROPERTY OF L-COM, INC. ANY REPRODUCTION IN PART OR WHOLE WITHOUT THE WRITTEN PERMISSION OF L-COM, INC. IS PROHIBITED.

REVISIONS			
REV	DESCRIPTION	DATE	APPROVED
A	INITIAL RELEASE	6/21/10	D.GRIFFIN
B	ECN 4869: REVISE VIEW OF RP SMA JACK TO PLUG	6/28/10	D.FRISIELLO



LENGTH CODE CHART		
CABLE# & LENGTH	LENGTH SYMBOL	EXAMPLES OF PART# USED
CA-RSPRSJBC \underline{XXX}	WHERE XXX = LENGTH IN FEET	CA-RSPRSJBC010 (10 FEET)
CA-RSPRSJBC \underline{NXX}	WHERE NXX = LENGTH IN INCHES	CA-RSPRSJBCN16 (16 INCHES)
CA-RSPRSJBC \underline{MXX}	WHERE MXX = LENGTH IN METERS	CA-RSPRSJBCM07 (7 METERS)
CA-RSPRSJBC \underline{XMX}	WHERE XMX = LENGTH IN DECIMAL METERS	CA-RSPRSJBC3M5 (3.5 METERS)

RoHS Compliant ✓

NOTES:

CABLE ASSEMBLY SHALL BE TESTED FOR CONTINUITY.

CABLE ASSEMBLY SHALL BE INDIVIDUALLY PACKAGED IN ACCORDANCE WITH L-COM SPECIFICATION PS-0031.

UNLESS OTHERWISE SPECIFIED, DIMENSIONS ARE IN INCHES [mm] OVERALL CABLE LENGTH TOLERANCE: ≤12 [305] = +1 [25] / -0 >12 [305] ≤60 [1524] = +2 [51] / -0 >60 [1524] ≤120 [3048] = +4 [102] / -0 >120 [3048] ≤300 [7620] = +6 [152] / -0 >300 [7620] = +3% / -0%	APPROVALS	DATE		45 BEECHWOOD DRIVE NORTH ANDOVER, MA 01845		
	DRAWN BY D.FRISIELLO	6/18/10				
ALL OTHER DIMENSIONAL TOLERANCES: .X = ±.2 .XX = ±.02 .XXX = ±.005	CHECKED BY K.BURGNER	6/18/10	CATEGORY COAXIAL			
	APPROVED BY K.BURGNER	6/18/10	PRODUCT DESCRIPTION CA, CA100 RP-SMA P/J BLKHD			
PROJECTION 	CONFIGURATION DETAILS OF UNDIMENSIONED FEATURES MAY VARY	COLOR VARIATIONS MAY OCCUR	SIZE A	FSCM NO. 43321	DWG. NO. CA-RSPRSJBC	REV. B
SCALE: NONE			CAD FILE: CA-RSPRSJBC.SLDRW		SHEET 1 OF 1	