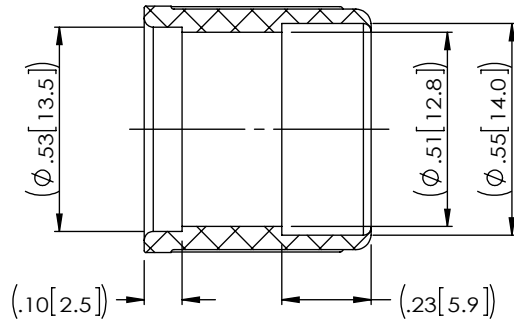
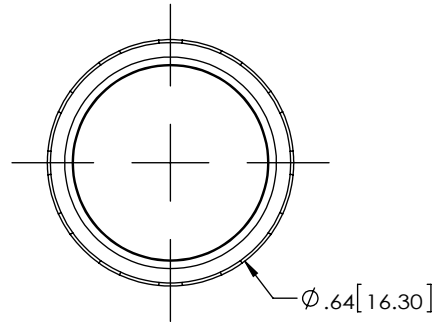
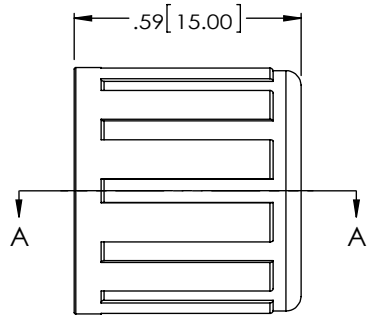


THE INFORMATION CONTAINED IN THIS DRAWING IS THE SOLE PROPERTY OF L-COM, INC. ANY REPRODUCTION IN PART OR WHOLE WITHOUT THE WRITTEN PERMISSION OF L-COM, INC. IS PROHIBITED.

REVISIONS			
REV	DESCRIPTION	DATE	APPROVED
E	ECN 3349: REMOVE ROHS STAMP	5/27/08	D.GRIFFIN
F	ECN 8752: REVISE MODEL, DIM. AND NOTES, NEW FORMAT	05/09/2017	B.ZHANG



SECTION A-A


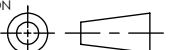
TABLE	
BIF-H0	BLACK
BIF-H2	RED
BIF-H5	GREEN
BIF-H6	BLUE
BIF-H9	WHITE

NOTES:

1. MATERIAL: PVC; COLOR: SEE TABLE
2. "()" DIM. FOR REFERENCE ONLY
3. PACKAGING:
BULK PACKAGE IN QUANTITY OF 10 UTILIZING APPROPRIATE SIZED BAG

REGULATORY COMPLIANCE:

CE2011/65/EU(RoHS DIRECTIVE)

UNLESS OTHERWISE SPECIFIED, DIMENSIONS ARE IN INCHES [mm] OVERALL CABLE LENGTH TOLERANCE: ≤12 [305] = +1 [25] / -0 >12 [305] ≤60 [1524] = +2 [51] / -0 >60 [1524] ≤120 [3048] = +4 [102] / -0 >120 [3048] ≤300 [7620] = +6 [152] / -0 >300 [7620] = +5% / -0%	APPROVALS	DATE	 50 HIGH STREET NORTH ANDOVER, MA 01845
	DRAWN BY C.MCCORMICK	11/20/2001	
ALL OTHER DIMENSIONAL TOLERANCES: .X = ±.2 [5.08] .XX = ±.02 [1.51] .XXX = ±.005 [1.3]	CHECKED BY D.PARHAM	11/20/2001	CATEGORY COAXIAL
	APPROVED BY R.CARRICK	11/20/2001	PRODUCT DESCRIPTION COVER BNC NUT BLACK
PROJECTION 	COLOR VARIATIONS MAY OCCUR	SIZE A	FSCM NO. 43321
REF	SCALE: NONE	DWG. NO. BIF-H0	REV. F
CAD FILE: BIF-H0.SLDDRW		SHEET 1 OF 1	