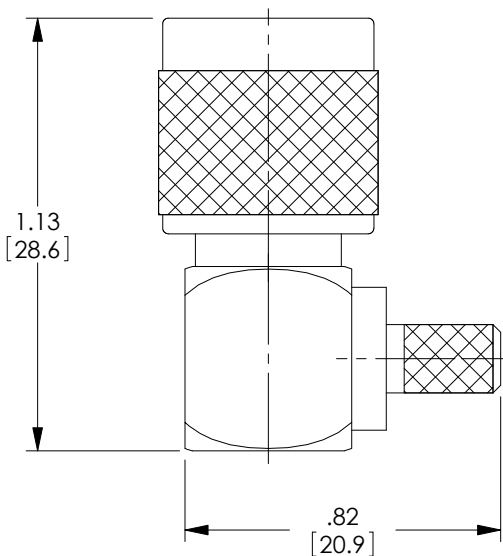


THE INFORMATION CONTAINED IN THIS DRAWING IS THE SOLE PROPERTY OF L-COM, INC. ANY REPRODUCTION IN PART OR WHOLE WITHOUT THE WRITTEN PERMISSION OF L-COM, INC. IS PROHIBITED.

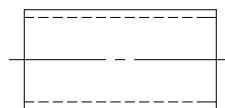
REVISIONS			
REV	DESCRIPTION	DATE	APPROVED
A	INITIAL RELEASE	8/7/07	R.POLUBINSKI
B	ECN 2983: ADDED CABLE STRIPPING, FERRULE DIM CHGD	9/10/07	R.POLUBINSKI
C	ECN 5206: RE-DRAWN, ADDED PACKAGING NOTE AND NEW FORMAT	12/13/10	D.FRISIELLO
D	ECN 5762: REVISE FERRULE FINISH FROM GOLD TO NICKEL PLATE	10/10/11	D.FRISIELLO

DESCRIPTION	MATERIAL	FINISH
CONNECTOR BODY	BRASS	NICKEL PLATE
INSULATOR	ACETAL	-
FERRULE	BRASS	NICKEL PLATE
SCREW CAP	BRASS	NICKEL PLATE

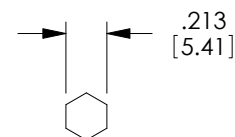
D



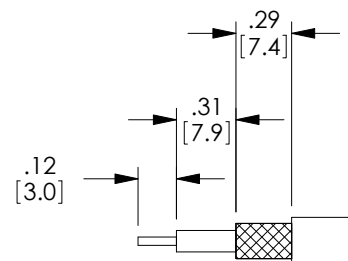
BODY



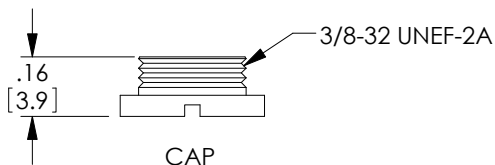
FERRULE



RECOMMENDED
FERRULE CRIMP



RECOMMENDED
CABLE STRIPPING



CAP

NOTES:

ELECTRICAL:
IMPEDANCE: 50 OHMS
FREQUENCY RANGE: DC ~ 6 GHZ

ALL DIMENSIONS ARE FOR REFERENCE ONLY.

APPLICATIONS: RG58, LMR195

COMPONENT SHALL BE INDIVIDUALLY PACKAGED IN ACCORDANCE WITH L-COM SPECIFICATION PS-0031.

RoHS Compliant ✓

UNLESS OTHERWISE SPECIFIED, DIMENSIONS ARE IN INCHES [mm] OVERALL CABLE LENGTH TOLERANCE: ≤12 [305] = +1 [25] / -0 >12 [305] ≤60 [1524] = +2 [51] / -0 >60 [1524] ≤120 [3048] = +4 [102] / -0 >120 [3048] ≤300 [7620] = +6 [152] / -0 >300 [7620] = +3% / -0% ALL OTHER DIMENSIONAL TOLERANCES: .X = ± .2 .XX = ± .02 .XXX = ± .005	APPROVALS DRAWN BY R.POLUBINSKI	DATE 8/7/07		45 BEECHWOOD DRIVE NORTH ANDOVER, MA 01845
	CHECKED BY J.ROBERTS APPROVED BY D.FRISIELLO	8/16/07 12/13/10		CATEGORY COAXIAL
PROJECTION 	CONFIGURATION DETAILS OF UNDIMENSIONED FEATURES MAY VARY	PRODUCT DESCRIPTION R/A TNC PLUG, RG58	SCALE: NONE CAD FILE: BAC525.SLDDRW	SHEET 1 OF 1
	COLOR VARIATIONS MAY OCCUR	SIZE A	FSCM NO. 43321	DWG. NO. BAC525

REV.
D