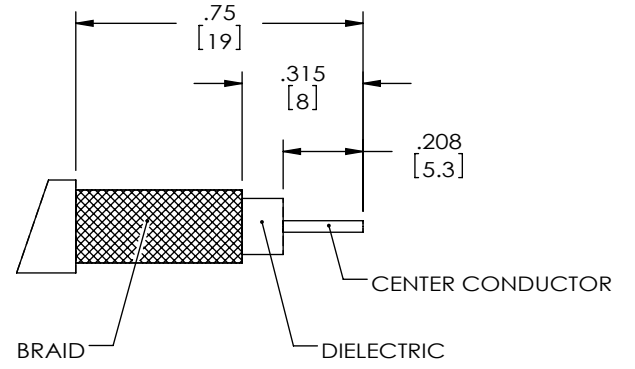
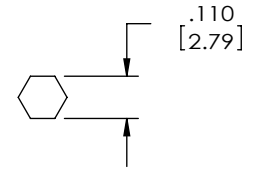
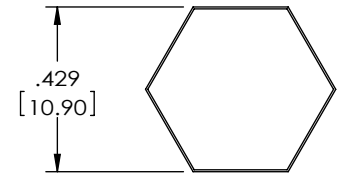
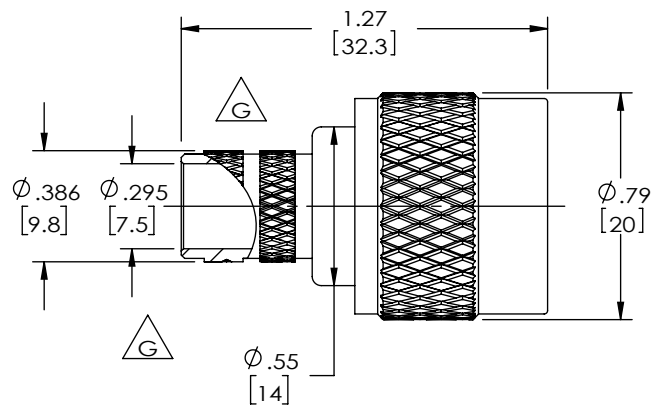
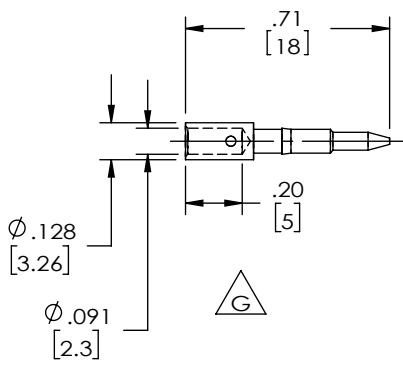
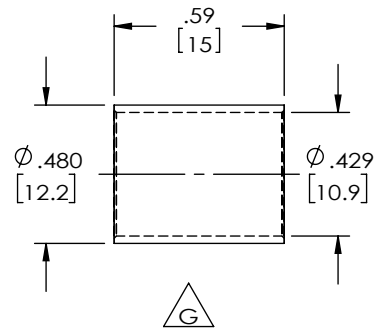


THE INFORMATION CONTAINED IN THIS DRAWING IS THE SOLE PROPERTY OF L-COM, INC. ANY REPRODUCTION IN PART OR WHOLE WITHOUT THE WRITTEN PERMISSION OF L-COM, INC. IS PROHIBITED.

REVISIONS			
REV	DESCRIPTION	DATE	APPROVED
E	ECN 4315: UPDATE DRAWING PER NEW SUPPLIER SPECS	10/13/09	D. CASTRO
F	ECN 7376: REVISED CBL STRIP DIMS AND DIMS PER NEW VENDOR SPEC	4/14/14	D.FRISIELLO
G	ECN 11905: ADD KNURL, ADD DIM'S .480, .429, .128, .091, .20, .386, .295, .55	06/22/2022	V.JIWATODE



NOTES:

MATERIAL:
 BODY: BRASS
 FERRULE: BRASS
 PIN: BRASS
 INSULATOR: PTFE
 GASKET: MVQ

FINISH:
 BODY: NICKEL PLATE
 FERRULE: NICKEL PLATE
 PIN: GOLD PLATE


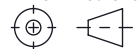
ELECTRICAL:
 IMPEDANCE: 50 OHM

APPLICATION:
 RG213 COAXIAL CABLE.

PACKAGING:
 COMPONENT SHALL BE INDIVIDUALLY PACKAGED IN ACCORDANCE WITH L-COM SPECIFICATION PS-0031.

RECOMMENDED
 FERRULE & PIN
 CRIMP SIZE

RECOMMENDED
 CABLE STRIPPING
 DIMENSIONS

UNLESS OTHERWISE SPECIFIED, DIMENSIONS ARE IN INCHES [mm] OVERALL CABLE LENGTH TOLERANCE: ≤12 [305] = +1 [25] / -0 >12 [305] ≤60 [1524] = +2 [51] / -0 >60 [1524] ≤120 [3048] = +4 [102] / -0 >120 [3048] ≤300 [7620] = +6 [152] / -0 >300 [7620] = +5% / -0 ALL OTHER DIMENSIONAL TOLERANCES: .X = ± .2 [5] FRACTIONS ± 1/32 .XX = ± .02 [.5] ANGLES ± 1° .XXX = ± .005 [1.3]	APPROVALS C.MCCORMICK D.PARHAM R.CARRICK	DATE 01/23/2004 01/23/2004 01/23/2004	 50 High Street, West Mill, North Andover, MA 01845 USA. Phone: 1.800.341.5266 1.978.682.6936			
	CATEGORY COAXIAL			PRODUCT DESCRIPTION TYPE "N" CRIMP PLUG		
THIRD-ANGLE PROJECTION 	CONFIGURATION DETAILS OF UNDIMENSIONED FEATURES MAY VARY	COLOR VARIATIONS MAY OCCUR	SIZE A		CAGE CODE 43321	DWG. NO. BAC506
1A804-019		SCALE: NONE	CAD FILE: BAC506.SLDDRW	SHEET 1 OF 1		