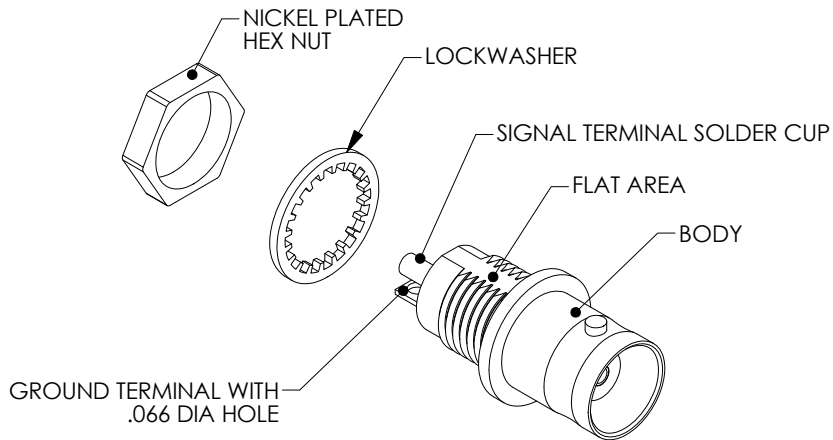
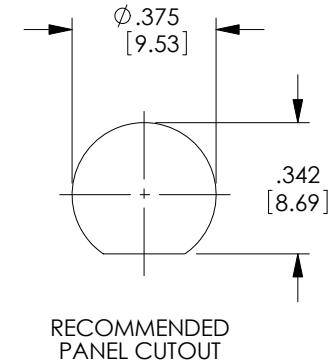
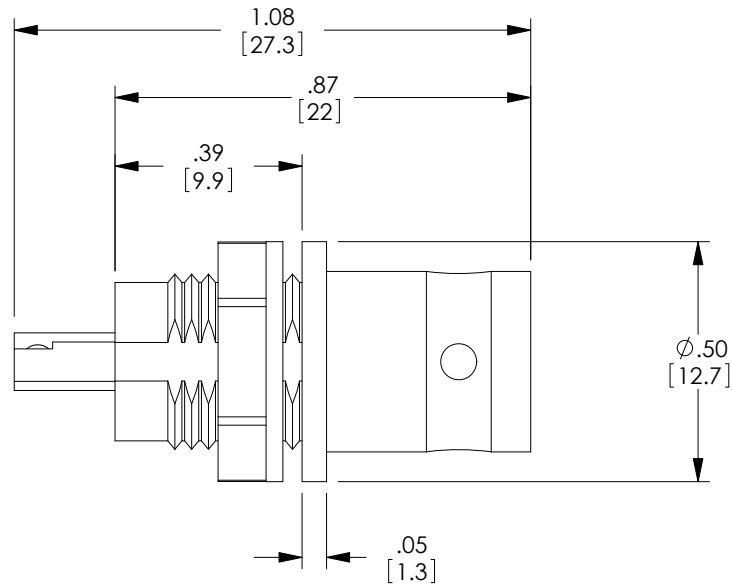


THE INFORMATION CONTAINED IN THIS DRAWING IS THE SOLE PROPERTY OF L-COM, INC. ANY REPRODUCTION IN PART OR WHOLE WITHOUT THE WRITTEN PERMISSION OF L-COM, INC. IS PROHIBITED.

REVISIONS			
REV	DESCRIPTION	DATE	APPROVED
F	ECN 11075: ROTATED SOLDER TAB, REVISED DRAWING FORMAT	04/08/2021	SRAUTUS

DESCRIPTION	MATERIAL	FINISH
BODY	BRASS	NICKEL PLATE
PIN	BRASS	GOLD PLATE
INSULATOR	ACTEAL	-
HEX NUT	BRASS	NICKEL PLATE
LOCK WASHER	BRASS	NICKEL PLATE
MOUNTING AREA	ABS	-



- NOTES:
1. ALL DIMENSIONS ARE FOR REFERENCE ONLY..
 2. COMPONENT SHALL BE INDIVIDUALLY PACKAGED IN ACCORDANCE WITH L-COM SPECIFICATION PS-0031.

UNLESS OTHERWISE SPECIFIED, DIMENSIONS ARE IN INCHES [mm] OVERALL CABLE LENGTH TOLERANCE: ≤12 [305] = +1 [25] / -0 >12 [305] ≤60 [1524] = +2 [51] / -0 >60 [1524] ≤120 [3048] = +4 [102] / -0 >120 [3048] ≤300 [7620] = +6 [152] / -0 >300 [7620] = +5% / -0 ALL OTHER DIMENSIONAL TOLERANCES: .X = ± .2 [5] FRACTIONS ± 1/32 .XX = ± .02 [.5] ANGLES ± 1° .XXX = ± .005 [.13]	APPROVALS C.MCCORMICK D.PARHAM R.CARRICK	DATE 10/15/2001 10/15/2001 10/15/2001	50 High Street, West Mill, North Andover, MA 01845 USA. Phone: 1.800.341.5266 1.978.682.6936	
	CONFIGURATION DETAILS OF UNDIMENSIONED FEATURES MAY VARY COLOR VARIATIONS MAY OCCUR	CATEGORY COAXIAL		PRODUCT DESCRIPTION RECEPTACLE BNC F BHD INSULATED
THIRD-ANGLE PROJECTION 	SIZE A	CAGE CODE 43321	ITEM NO. BAC1503	REV. F
SCALE: NONE		CAD FILE: BAC1503.SLDDRW		SHEET 1 OF 1