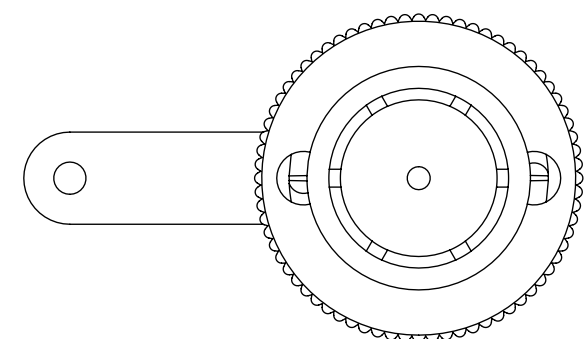
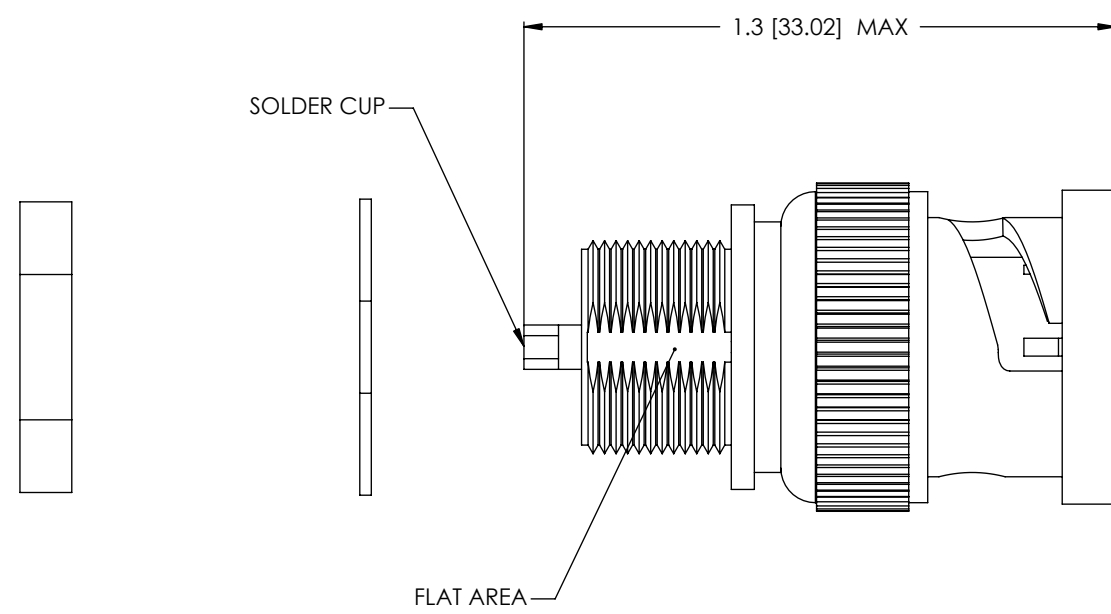
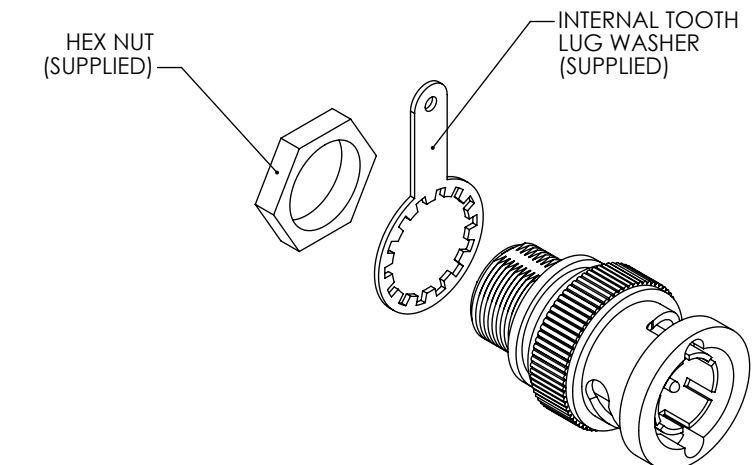
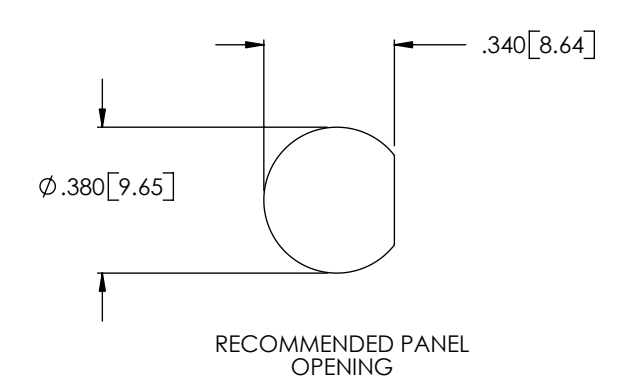


THE INFORMATION CONTAINED IN THIS DRAWING IS THE SOLE PROPERTY OF L-COM, INC. ANY REPRODUCTIONS IN PART OR WHOLE WITHOUT THE WRITTEN PERMISSION OF L-COM, INC. IS PROHIBITED.

REVISIONS			
REV	DESCRIPTION	DATE	CHANGED BY
A	RELEASED FOR PRODUCTION	03/28/02	MCCORMICK
B	ECN# 1605: ADDED COMPONENT SPECIFICATION TABLE	12/22/02	MCCORMICK
C	ECN# 2296: DRAWING UPDATES; ADDED NOTES	02/22/04	MCCORMICK
D	ECN3150: UPDATE DWG FORMAT	1/10/08	D.GRIFFIN



BNC PLUG



NOTES:

**MATERIAL:**  
 BODY: BRASS  
 SHELL: BRASS  
 WASHER: BRASS  
 HEX NUT: BRASS  
 CENTER PIN: BRASS  
 INSULATOR: ACETAL

**FINISH:**  
 BODY: NICKEL PLATE  
 SHELL: NICKEL PLATE  
 WASHER: NICKEL PLATE  
 HEX NUT: NICKEL PLATE  
 CENTER PIN: GOLD PLATE

**ELECTRICAL:**  
 IMPEDANCE: 50 OHM

**PACKAGING:**  
 INDIVIDUALLY PACKAGE EACH ASSEMBLY UTILIZING APPROPRIATE SIZED BAG

**APPLICATION:**  
 PANEL MOUNT ASSEMBLIES

UNLESS OTHERWISE SPECIFIED, DIMENSIONS ARE IN INCHES [mm]	APPROVALS	DATE
	DRAWN BY CMCCORMICK	03/28/2002
	CHECKED BY D.PARHAM	03/28/2002
	APPROVED BY R.CARRICK	03/28/2002
TOLERANCES TO BE:	ANGLES ±2°	
.X ±.1 [2.5]		
.XX ±.01 [.25]		
.XXX ±.005 [.13]		
OVERALL CABLE LENGTH TOL:	CONFIGURATION DETAILS OF UNDIMENSIONED FEATURES MAY VARY	
≤ 60 [1524] +3 [76.2] / -0	MAY OCCUR	
> 60 [1524] +5% / -0%		
PROJ	COLOR VARIATIONS MAY OCCUR	

**L-com** 45 BEECHWOOD DRIVE  
 NORTH ANDOVER, MA 01845

CONNECTIVITY PRODUCTS

CATEGORY: COAXIAL

PRODUCT DESCRIPTION: RECEPTACLE BNC M BHD

SIZE	FSCM NO.	DWG. NO.	REV.
<b>B</b>	<b>43321</b>	BAC1501	<b>D</b>

SCALE: 1:1 CAD FILE: BAC1501.SLDDRW SHEET 1 OF 1