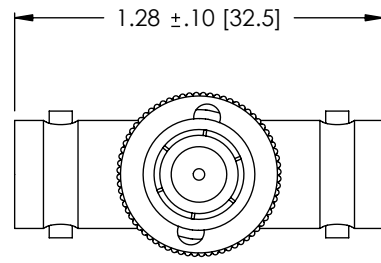
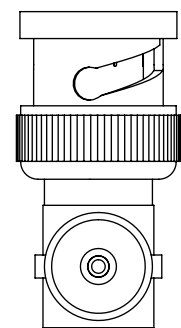


THE INFORMATION CONTAINED IN THIS DRAWING IS THE SOLE PROPERTY OF L-COM, INC. ANY REPRODUCTION IN PART OR WHOLE WITHOUT THE WRITTEN PERMISSION OF L-COM, INC. IS PROHIBITED.

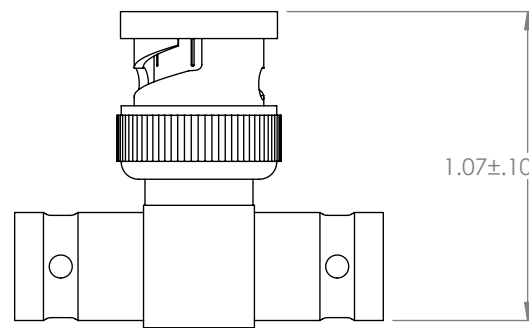
REVISIONS			
REV	DESCRIPTION	DATE	CHANGED BY
A	APPROVED FOR PRODUCTION	05/04/01	MCCORMICK
B	REVISED PICTORALLY ONLY	11/26/01	MCCORMICK
C	REVISED TOLERANCES [ECN 1489]	08/08/03	MCCORMICK
D	ECN 3124: UPDATE DWG FORMAT	12/19/07	D.GRIFFIN



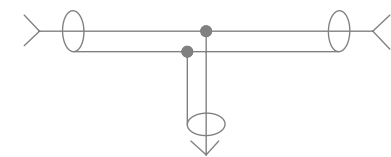
BNC PLUG



2X BNC JACK



1.07 ±.10 [27.18]



CIRCUIT DIAGRAM

SPECIFICATIONS;

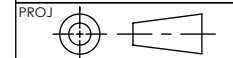
**MATERIALS;**  
 SHELL: BRASS  
 CONTACTS: BRASS  
 INSULATOR: DELRIN

**FINISH;**  
 SHELL: NICKEL  
 CONTACT: GOLD

**ELECTRICAL;**  
 CHARACTERISTIC IMPEDANCE: 50 OHMS

**RoHS Compliant** ✓

UNLESS OTHERWISE SPECIFIED,  
 DIMENSIONS ARE IN INCHES [mm]  
 TOLERANCES TO BE:  
 .X ±.1 [2.5] ANGLES ±2°  
 .XX ±.01 [.25]  
 .XXX ±.005 [.13]  
 OVERALL CABLE LENGTH TOL:  
 ≤ 60 [1524] +3 [76.2] / - 0  
 > 60 [1524] +5% / -0%



APPROVALS	DATE
DRAWN BY C.MCCORMICK	05/04/2001
CHECKED BY D.PARHAM	05/04/2001
APPROVED BY R.CARRICK	05/04/2001

CONFIGURATION DETAILS OF  
 UNDIMENSIONED FEATURES  
 MAY VARY

	45 BEECHWOOD DRIVE NORTH ANDOVER, MA 01845		
	CATEGORY COAXIAL		
PRODUCT DESCRIPTION TEE ADAPTOR BNC M/F/F			
SIZE <b>A</b>	FSCM NO. <b>43321</b>	DWG. NO. BA250	REV. <b>D</b>
SCALE: NONE		CAD FILE: BA250.SLDDRW	SHEET 1 OF 1