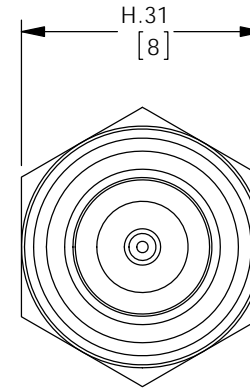
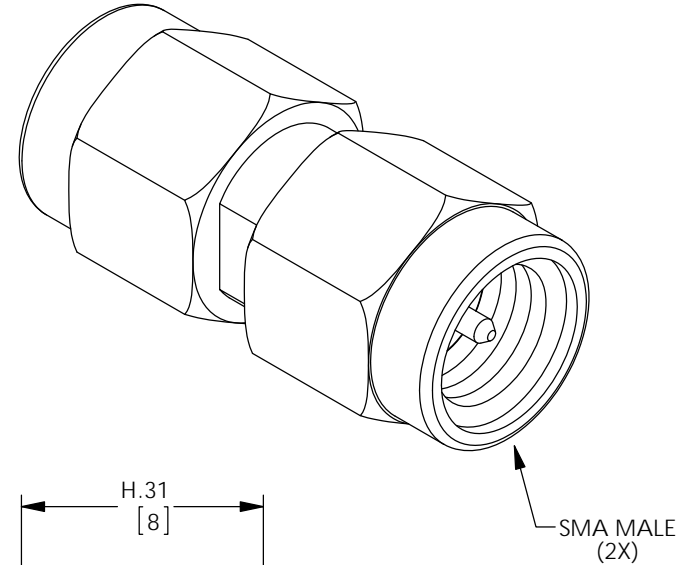
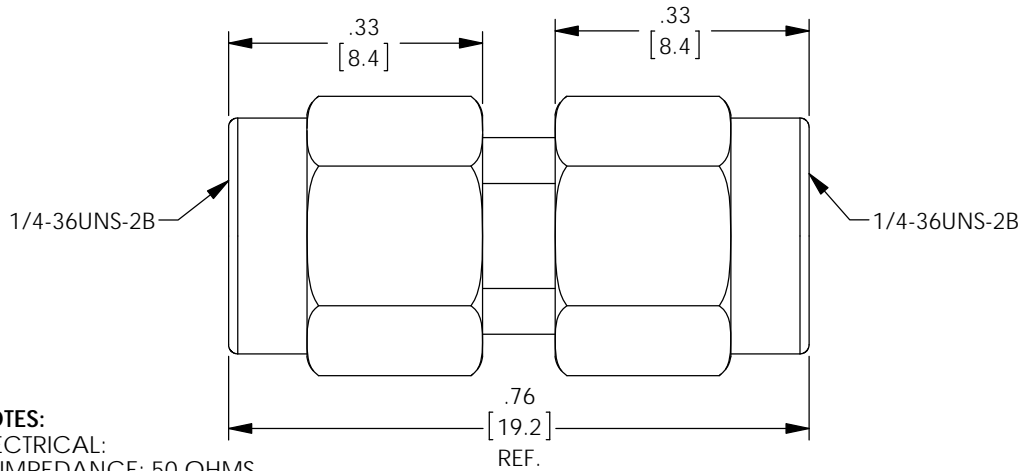
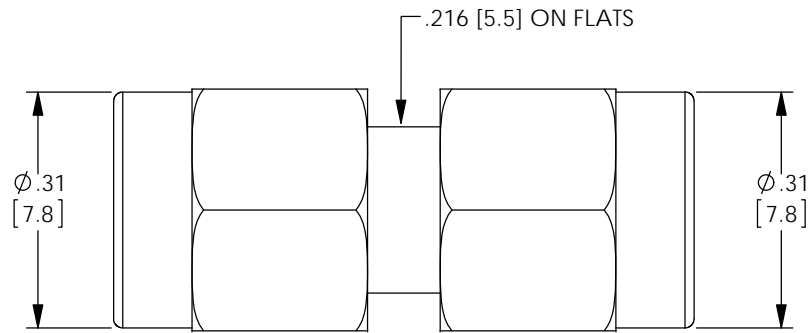


THE INFORMATION CONTAINED IN THIS DRAWING IS THE SOLE PROPERTY OF L-COM, INC. ANY REPRODUCTION IN PART OR WHOLE WITHOUT THE WRITTEN PERMISSION OF L-COM, INC. IS PROHIBITED.

| DESCRIPTION | MATERIAL | FINISH  |
|-------------|----------|---|
| BODY        | BRASS    | Au 2 μ" MIN/OVER Ni 120 μ" MIN/OVER Cu 20 μ" MIN  |
| SHELL       | BRASS    | Au 2 μ" MIN/OVER Ni 120 μ" MIN/OVER Cu 20 μ" MIN  |
| CENTER PIN  | BRASS    | Au 20 μ" MIN/OVER Ni 120 μ" MIN/OVER Cu 20 μ" MIN |
| INSULATOR   | PTFE     | -   |

| REVISIONS |   |          |             |
|-----------|---|----------|-------------|
| REV       | DESCRIPTION                               | DATE     | APPROVED    |
| E         | ECN 4323: UPDATE DIMENSIONS AND NOTES     | 10/26/09 | D.FRISIELLO |
| F         | ECN 5736: REVISED DRAWING TO MATCH VENDOR | 9/27/11  | D.FRISIELLO |
| G         | ECN 8452 UPDATE DRAWING TO MATCH VENDOR   | 08/16/16 | B.PUCHASKI  |



**NOTES:**  
**ELECTRICAL:**  
 IMPEDANCE: 50 OHMS  
 FREQUENCY RANGE: 0 - 18 GHz  
 VSWR : 1.2 MAX  
 VOLTAGE RATING: 500 VRMS MAX.  
 DIELECTRIC WITHSTANDING VOLTAGE: 1000 VOLTS RMS MIN.  
**PACKAGING:**  
 COMPONENTS SHALL BE INDIVIDUALLY PACKAGED IN ACCORDANCE WITH L-COM SPECIFICATIONS PS-0031.

ALL DIMENSIONS ARE FOR REFERENCE ONLY.

**REGULATORY COMPLIANCE:**  
 CE2011/65/EU(RoHS DIRECTIVE)

|  |  |                          |   |                  |
|--|--|--------------------------|---|------------------|
| UNLESS OTHERWISE SPECIFIED, DIMENSIONS ARE IN INCHES [mm]<br><br>DIMENSIONAL TOLERANCES:<br>.X = ±.1 [2.54]<br>.XX = ±.01 [.25]<br>.XXX = ±.005 [.13]<br><br>ANGULAR TOLERANCES:<br>ALL = ± 1° | APPROVALS  | DATE                     | <br>50 HIGH STREET<br>NORTH ANDOVER, MA<br>01845  |                  |
|  | DRAWN BY<br>C.MCCORMICK                                  | 06/05/2001               |   |                  |
|  | APPROVED BY<br>R.CARRICK                                 | 06/05/2001               | CATEGORY<br><b>COAXIAL</b>                        |                  |
|  | CONFIGURATION DETAILS OF UNDIMENSIONED FEATURES MAY VARY |                          | PRODUCT DESCRIPTION<br><b>ADAPTOR SMA M/SMA M</b> |                  |
| COLOR VARIATIONS MAY OCCUR   | SIZE<br><b>A</b>   | FSCM NO.<br><b>43321</b> | DWG. NO.<br><b>BA22</b>                           | REV.<br><b>G</b> |
| SCALE: NONE  |  | CAD FILE: BA22.SLDDRW    |   | SHEET 1 OF 1     |