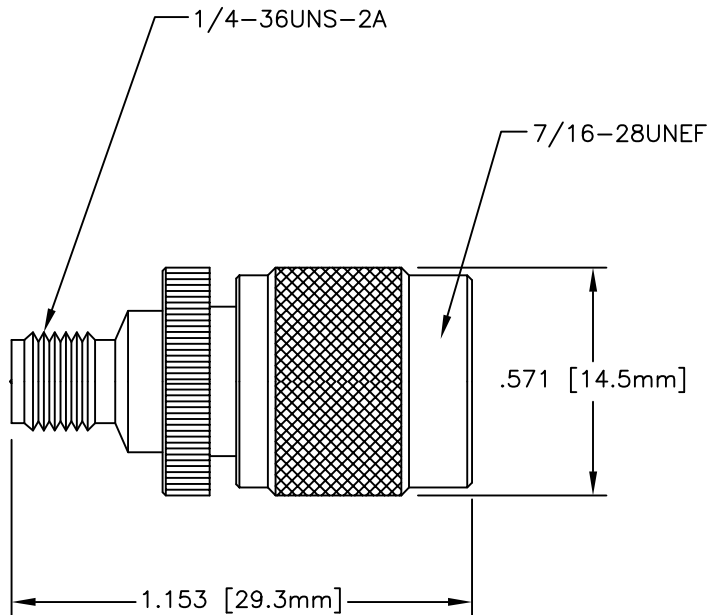


MATERIALS	
BODY	BRASS NICKEL PLATED
CONTACT	GOLD PLATED BRASS
INSULATOR	TEFLON



NOTES:

1. UNLESS OTHERWISE SPECIFIED ALL DIMENSIONS ARE NOMINAL.
2. ALL SPECIFICATIONS ARE SUBJECT TO CHANGE WITHOUT NOTICE AT ANY TIME.

				SIZE	TITLE:				
				A	RP-TNC PLUG to RP-SMA JACK ADAPTER				
REV	ECN No.	DATE	DESCRIPTION	DRAWN BY	K.Burgner	01/22/08	DRAWING No.	REV	
				ORIGINATOR	K.Burgner	01/22/08	AXA-RTPRSJ	B	
				APPROVAL	K.Burgner	01/22/08	PART No.	AXA-RTPRSJ	
				SCALE 3:1	SHEET 1/1	MATERIAL	---	FILE No. AXA-RTPRSJ	