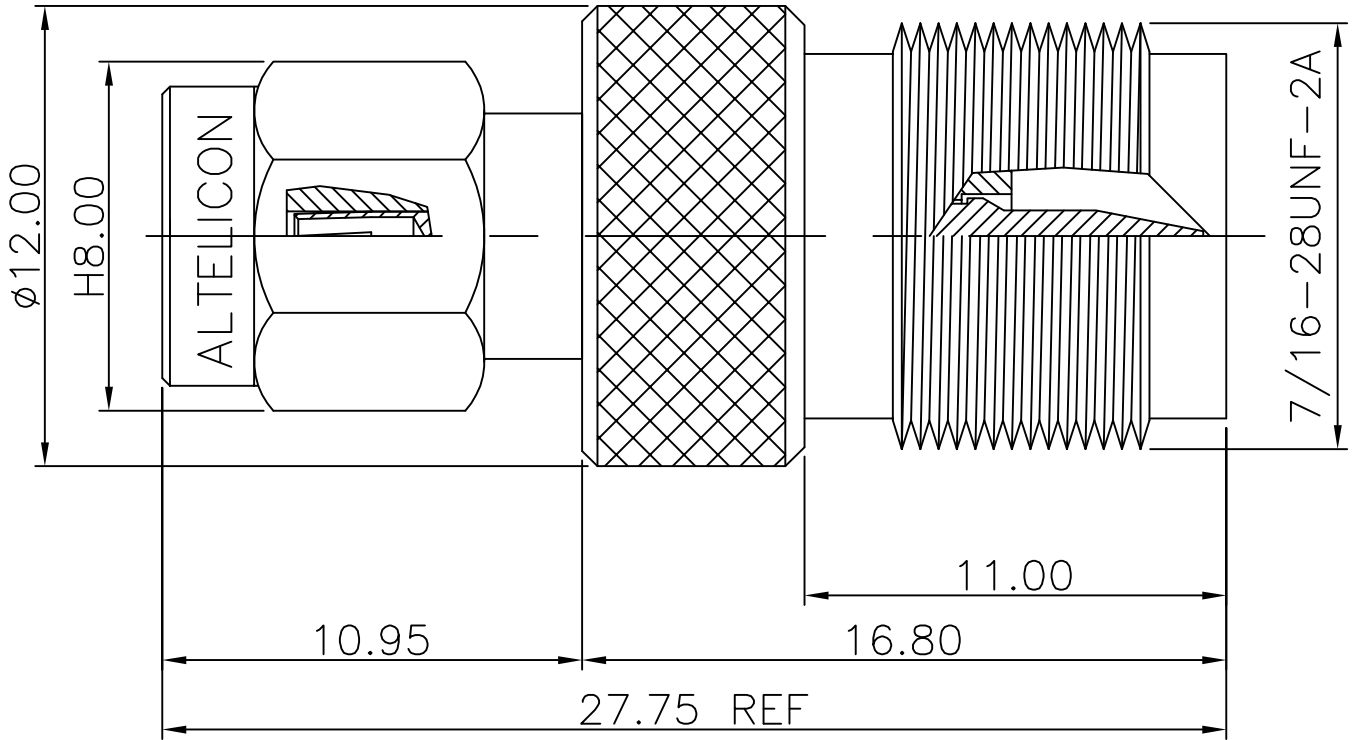


9	Shell	1	Brass	Nickel
8	Retaining ring	1	Brass	Nickel
7	Gasket	1	Si-rubber	Orange
6	Washer	1	Brass	Nickel
5	Dielectric	1	Tef	None
4	Dielectric	1	Tef	None
3	Pin	1	Brass	Gold
2	Body	1	Brass	Nickel
1	Body	1	Brass	Nickel
NO	Description	Q'ty	Material	Finish



NOTES:

1. UNLESS OTHERWISE SPECIFIED ALL DIMENSIONS ARE NOMINAL.
2. ALL SPECIFICATIONS ARE SUBJECT TO CHANGE WITHOUT NOTICE AT ANY TIME.

				SIZE	TITLE:			
				A	RP-TNC-Jack to Reverse-Polarity SMA-Plug Adapter			
REV	ECN No.	DATE	DESCRIPTION	DRAWN BY	JC	02/22/05	DRAWING No.	REV
-	-	-	-	ORIGINATOR	P. Pesa	02/22/05	AXA-RTJRSP	A
				APPROVAL	P. Pesa	02/22/05	PART No.	AXA-RTJRSP
				SCALE	NA	SHEET 1/1	MATERIAL	Noted
						FILE No.	AXA-RTJRSP	



Website: www.L-com.com
Tel: 1-800-343-1455
Copyright © 2009 L-com, Inc.
All rights reserved.