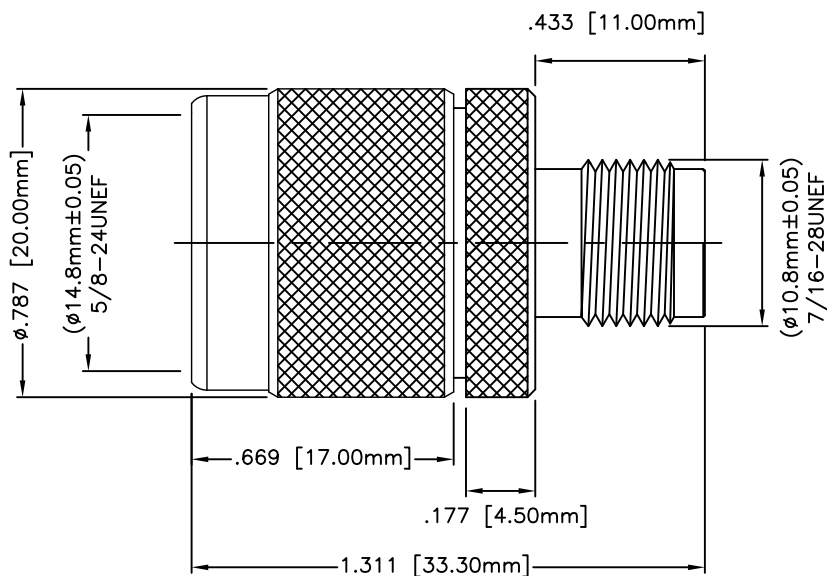


DESCRIPTION	MATERIAL	FINISH
BODY	BRASS	NICKEL
CENTER CONTACT	BRASS	GOLD
OUTER CONTACT	BRASS	NICKEL
GASKET	MVQ	---
INSULATOR	PTFE	---
RETAINING RING	BRASS	NICKEL



NOTE:

1. UNLESS OTHERWISE SPECIFIED, ALL DIMENSIONS ARE NOMINAL
2. ALL SPECIFICATIONS ARE SUBJECT TO CHANGE WITHOUT NOTICE AT ANY TIME.

REV	ECN No.	DATE	DESCRIPTION	DRAWN BY	DATE	DRAWING No.	REV
				B.Puchaski	09/03/2009	AXA-NMRTJ	A
				M.Audas	09/03/2009	AXA-NMRTJ	
L-com Global Connectivity Website: www.L-com.com Tel: 1-800-343-1455 Copyright © 2009 L-com, Inc. All rights reserved.				SCALE 2:1	SHEET 1/1	MATERIAL Noted	FILE No. AXA-NMRTJ