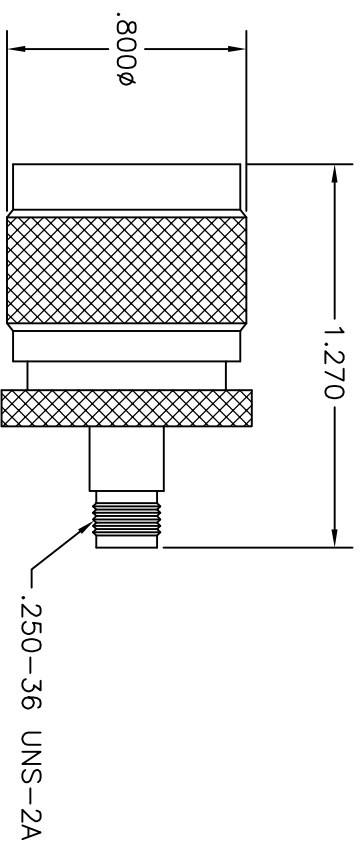


MATERIALS	
BODY	BRASS NICKEL PLATED
CONTACT	GOLD PLATED
INSULATOR	PTFE



NOTES:

1. UNLESS OTHERWISE SPECIFIED ALL DIMENSIONS ARE NOMINAL.
2. ALL SPECIFICATION ARE SUBJECT TO CHANGE WITHOUT NOTICE AT ANY TIME.


  
 Website: [www.l-com.com](http://www.l-com.com)  
 Tel: 1-800-343-1455  
 Copyright © 2009 L-com, Inc.  
 All rights reserved.

TITLE:

N MALE TO RP-SMA JACK ADAPTER

SIZE	DRAWING No.	AXA-NMRSJ	REV
A			A
SCALE:	N/A	FILE No:	AXA-NMRSJ
			SHEET 1 of 1