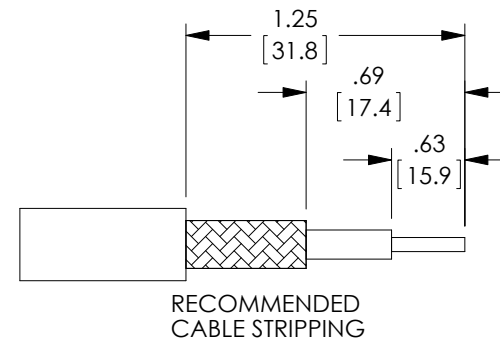
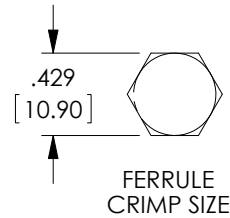
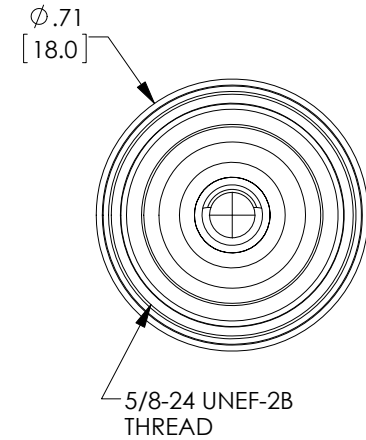
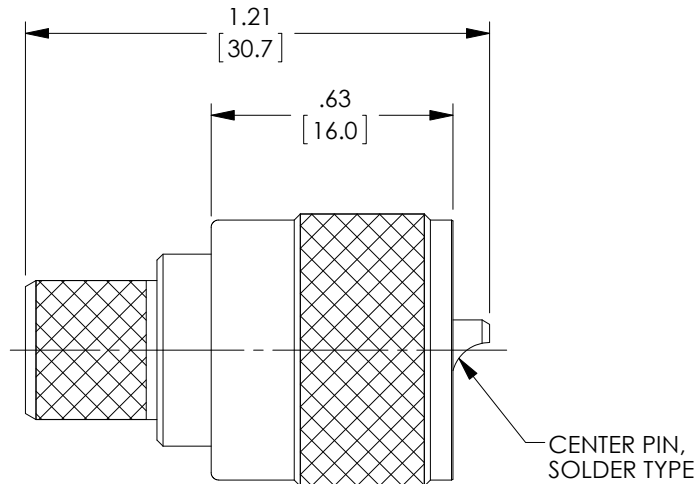
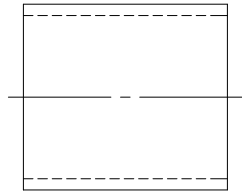


THE INFORMATION CONTAINED IN THIS DRAWING IS THE SOLE PROPERTY OF L-COM, INC. ANY REPRODUCTION IN PART OR WHOLE WITHOUT THE WRITTEN PERMISSION OF L-COM, INC. IS PROHIBITED.

RoHS Compliant ✓

REVISIONS			
REV	DESCRIPTION	DATE	APPROVED
A	INITIAL RELEASE	8/10/12	D.FRISIELLO

DESCRIPTION	MATERIAL	FINISH
CENTER CONTACT	BRASS	NICKEL
BODY	BRASS	NICKEL
SHELL	BRASS	NICKEL
CRIMP FERRULE	BRASS	NICKEL
INSULATOR	PP	---



NOTES:

ELECTRICAL:

IMPEDENCE: NON-CONSTANT.
 FREQUENCY RANGE: DC~300 MHz
 VOLTAGE RATING: 500 VOLTS PEAK
 DIELECTRIC WITHSTANDING VOLTAGE: 1000 VOLTS RMS
 INSERTION LOSS: .50 dB MAX.
 CABLE RETENTION: 60 POUNDS

MISCELLANEOUS:

COMPONENTS SHALL BE INDIVIDUALLY PACKAGED IN ACCORDANCE WITH L-COM SPECIFICATIONS PS-0031.

ALL DIMENSIONS ARE FOR REFERENCE ONLY.

UNLESS OTHERWISE SPECIFIED, DIMENSIONS ARE IN INCHES [mm] OVERALL CABLE LENGTH TOLERANCE: ≤12 [305] = +1 [25] / -0 >12 [305] ≤60 [1524] = +2 [51] / -0 >60 [1524] ≤120 [3048] = +4 [102] / -0 >120 [3048] ≤300 [7620] = +6 [152] / -0 >300 [7620] = +3% / -0%	APPROVALS	DATE		45 BEECHWOOD DRIVE NORTH ANDOVER, MA 01845
	DRAWN BY D.FRISIELLO	8/10/12		
ALL OTHER DIMENSIONAL TOLERANCES: .X = ± .2 .XX = ± .02 .XXX = ± .005	CHECKED BY K.BURGNER	8/10/12	CATEGORY COAXIAL	
	APPROVED BY K.BURGNER	8/10/12	PRODUCT DESCRIPTION CON,UHF-Male CRIMP TYPE PL259 SER 400	
PROJECTION 	CONFIGURATION DETAILS OF UNDIMENSIONED FEATURES MAY VARY	COLOR VARIATIONS MAY OCCUR	SIZE A	FSCM NO. 43321
			DWG. NO. AUM-1402	REV. A
			SCALE: NONE	CAD FILE: AUM-1402.SLDDRW
				SHEET 1 OF 1