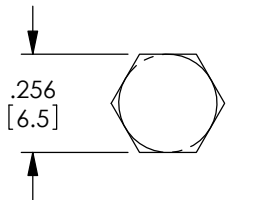
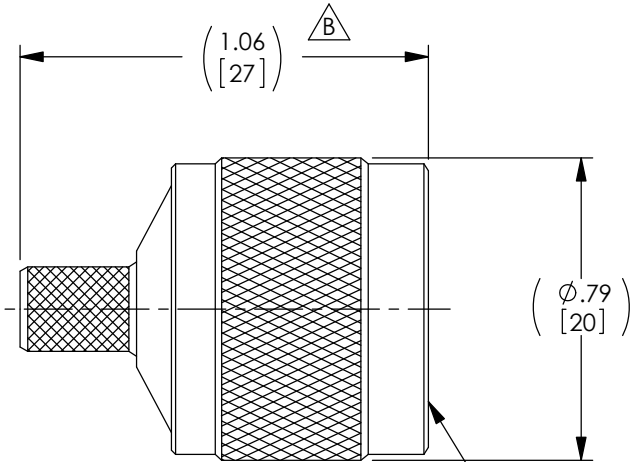
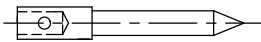
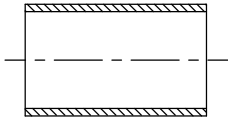


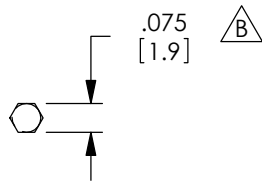
THE INFORMATION CONTAINED IN THIS DRAWING IS THE SOLE PROPERTY OF L-COM, INC. ANY REPRODUCTION IN PART OR WHOLE WITHOUT THE WRITTEN PERMISSION OF L-COM, INC. IS PROHIBITED.

REVISIONS			
REV	DESCRIPTION	DATE	APPROVED
A	INITIAL RELEASE-REPLACED DWG F1008 (HL 4332)	10/26/13	B.PUCHASKI
B	ECN 7167: REVISED DRAWING TO CURRENT SPECIFICATION	11/19/13	D.FRISIELLO

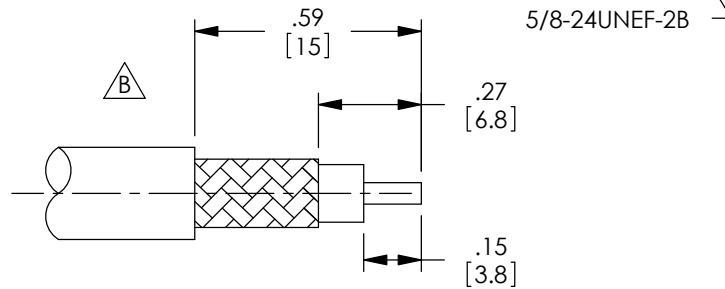
DESCRIPTION	MATERIAL	FINISH
CENTER CONTACTS	BRASS	GOLD PLATE
OUTER CONTACT	BRASS	NICKEL PLATE
COUPLING NUT	BRASS	NICKEL PLATE
CRIMP FERRULE	BRASS	NICKEL PLATE
GASKET	MVQ	---
INSULATOR	PTFE	---
RETAINING RING	Phosphor Bronze	---



RECOMMENDED FERRULE CRIMP SIZE



RECOMMENDED PIN CRIMP SIZE



RECOMMENDED CABLE STRIPPING

NOTES:

ELECTRICAL:

IMPEDENCE: 50 OHMS
 WITHSTAND VOLTAGE: 2500V
 FREQUENCY RANGE: 0~6 GHz
 VSWR: <1.50 @ 0~6 GHz
 DURABILITY: ≥ 500 CYCLE
 CABLE RETENTION: > 40 POUNDS

MISCELLANEOUS:

COMPONENTS SHALL BE INDIVIDUALLY PACKAGED IN ACCORDANCE WITH L-COM SPECIFICATIONS PS-0031. ALL DIMENSIONS ARE FOR REFERENCE ONLY.

REGULATORY COMPLIANCE:

CE2011/65/EU(RoHS DIRECTIVE)

UNLESS OTHERWISE SPECIFIED, DIMENSIONS ARE IN INCHES [mm] OVERALL CABLE LENGTH TOLERANCE: ≤12 [305] = +1 [25] / -0 >12 [305] ≤60 [1524] = +2 [51] / -0 >60 [1524] ≤120 [3048] = +4 [102] / -0 >120 [3048] ≤300 [7620] = +6 [152] / -0 >300 [7620] = +5% / -0%	APPROVALS	DATE		45 BEECHWOOD DRIVE NORTH ANDOVER, MA 01845
	DRAWN BY B.PUCHASKI	10/26/09		
ALL OTHER DIMENSIONAL TOLERANCES: .X = ± .2 [5.08] .XX = ± .02 [51] .XXX = ±.005 [1.27]	CHECKED BY M.AUDAS	10/26/09	CATEGORY COAXIAL	
	APPROVED BY M.AUDAS	10/26/13	PRODUCT DESCRIPTION N Male Straight Crimp For LMR240	
PROJECTION 	CONFIGURATION DETAILS OF UNDIMENSIONED FEATURES MAY VARY	COLOR VARIATIONS MAY OCCUR	SIZE A	FSCM NO. 43321
			DWG. NO. ANM-1508	REV. B
			SCALE: NONE	CAD FILE: ANM-1508.SLDDRW
				SHEET 1 OF 1