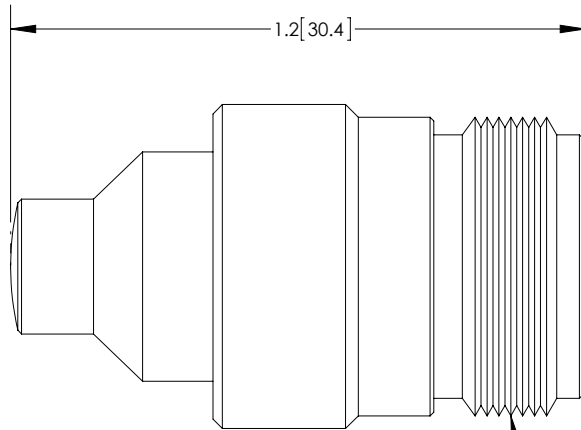
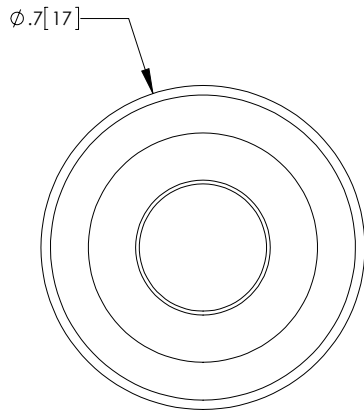
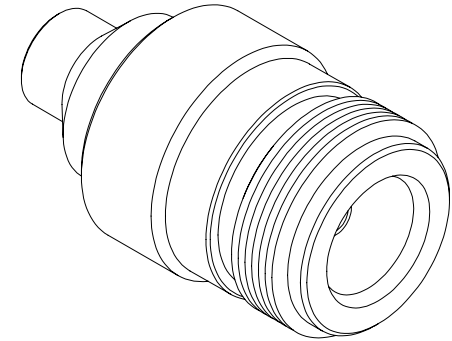


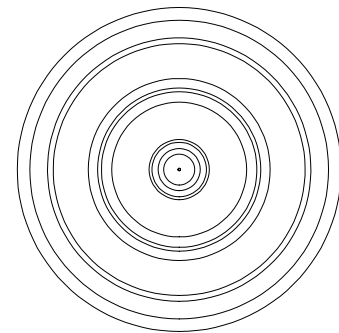
THE INFORMATION CONTAINED IN THIS DRAWING IS THE SOLE PROPERTY OF L-COM, INC. ANY REPRODUCTION IN PART OR WHOLE WITHOUT THE WRITTEN PERMISSION OF L-COM, INC. IS PROHIBITED.

REVISIONS			
REV	DESCRIPTION	DATE	APPROVED
A	INITIAL RELEASE	10/9/12	D.GRIFFIN
-	-	-	-
-	-	-	-

DESCRIPTION	MATERIAL	FINISH
BODY	BRASS	NICKEL PLATE
PIN	BRASS	GOLD PLATE
DIELECTRIC	PTFE	-
SHELL	BRASS	NICKEL PLATE
RESISTOR	-	-



5/8-24UNEF-2A



NOTES:

ELECTRICAL:
 IMPEDANCE: 50 OHM
 FREQUENCY RANGE: 0 - 6 GHZ
 VSWR: 1.5 : 1 MAX.
 POWER RATING: 1 WATT

- ALL DIMENSIONS FOR REFERENCE ONLY -

RoHS Compliant ✓

UNLESS OTHERWISE SPECIFIED, DIMENSIONS ARE IN INCHES [mm] DIMENSIONAL TOLERANCES: .X = ±.1 .XX = ±.01 .XXX = ±.005 ANGULAR TOLERANCES: ALL = ± 1°	APPROVALS	DATE		45 BEECHWOOD DRIVE NORTH ANDOVER, MA 01845
	DRAWN BY B.PUCHASKI	10/08/12		
	CHECKED BY K.BURGNER	10/08/12	CATEGORY COAXIAL	
	APPROVED BY K.BURGNER	10/08/12	PRODUCT DESCRIPTION N FEMALE 50 OHM, TERMINATOR	
COLOR VARIATIONS MAY OCCUR	SIZE A	FSCM NO. 43321	DWG. NO. ANF-TERM	REV. A
SCALE: NONE		CAD FILE: ANF-TERM.SLDDRW		SHEET 1 OF 1