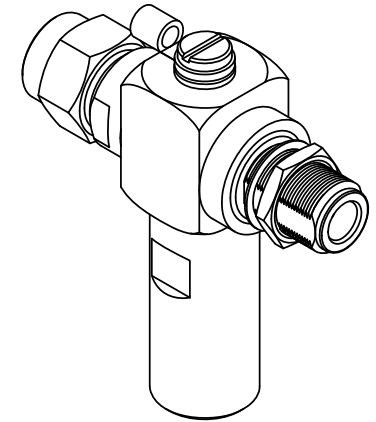
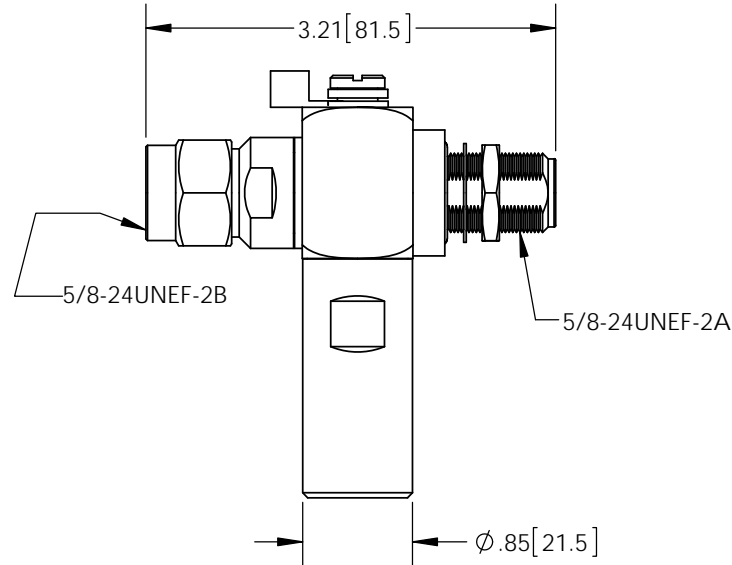
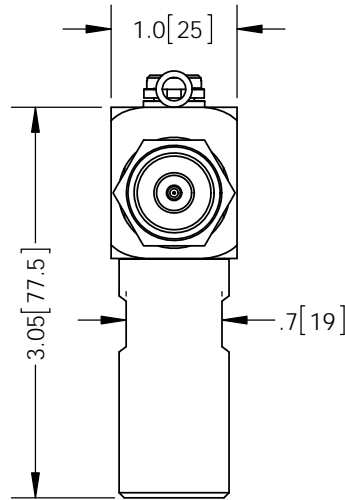


THE INFORMATION CONTAINED IN THIS DRAWING IS THE SOLE PROPERTY OF L-COM, INC. ANY REPRODUCTION IN PART OR WHOLE WITHOUT THE WRITTEN PERMISSION OF L-COM, INC. IS PROHIBITED.

REVISIONS			
REV	DESCRIPTION	DATE	APPROVED
A	INITIAL RELEASE	10/28/15	D.GRIFFIN

DESCRIPTION	MATERIAL	FINISH
BODY	BRASS	CuSnZn3
INNER CONDUCTOR FEMALE	PHOSPHOR BRONZE	SILVER
INNER CONDUCTOR MALE	BRASS	SILVER
COUPLING NUT	BRASS	CuSnZn3
INSULATOR	PTFE	---
O-RING	SILICONE RUBBER	---



NOTES:

ELECTRICAL:

- IMPEDANCE: 50 OHM
- FREQUENCY RANGE: 800 ~ 2,250 MHz
- VSWR: ≤ 1.2
- PASSIVE INTERMODULATION(PIM): ≤ -150dBc
- DIELECTRIC WITHSTANDING VOLTAGE: 2500V(RMS)
- INSULATION RESISTANCE: ≥ 5000M OHM
- CONTACT RESISTANCE:
 - CENTER CONTACT: ≤ 1.0m OHM
 - OUTER CONTACT: ≤ 1.0m OHM
- INSERTION LOSS: ≤ 0.2dB

MECHANICAL:

- DURABILITY: ≥ 500
- TEMPERATURE RANGE: -40°C TO +85°C

PACKAGING:

COMPONENT SHALL BE INDIVIDUALLY PACKAGED IN ACCORDANCE WITH L-COM SPECIFICATION PKG-00012

REGULATORY COMPLIANCE:

CE2011/65/EU(RoHS DIRECTIVE)

UNLESS OTHERWISE SPECIFIED, DIMENSIONS ARE IN INCHES [mm] DIMENSIONAL TOLERANCES: .X = ±.1 [2.54] .XX = ±.01 [.25] .XXX = ±.005 [.13] ANGULAR TOLERANCES: ALL = ± 1°	APPROVALS	DATE		45 BEECHWOOD DRIVE NORTH ANDOVER, MA 01845	
	DRAWN BY B.PUCHASKI	09/30/15			
	CHECKED BY K.BURGNER	09/30/15			
APPROVED BY P.PESA	09/30/15	CATEGORY LIGHTNING PROTECTOR	PRODUCT DESCRIPTION N-MALE TO N-FEMALE BULKHEAD PIM RATED LIGHTNING PROTECTOR		
PROJECTION 	COLOR VARIATIONS MAY OCCUR	SIZE A	FSCM NO. 43321	DWG. NO. ALOP-NMNFB	REV. A
SCALE: NONE		CAD FILE: ALOP-NMNFB.SLDDRW		SHEET 1 OF 1	