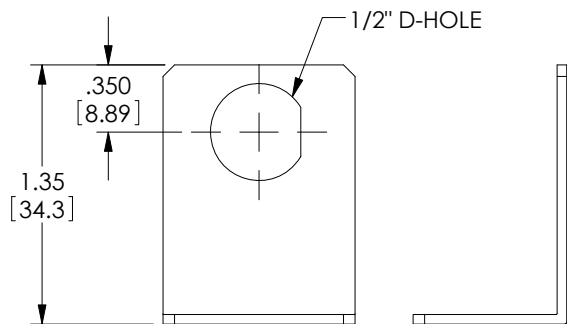
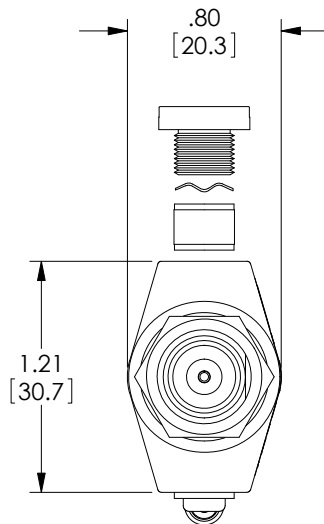
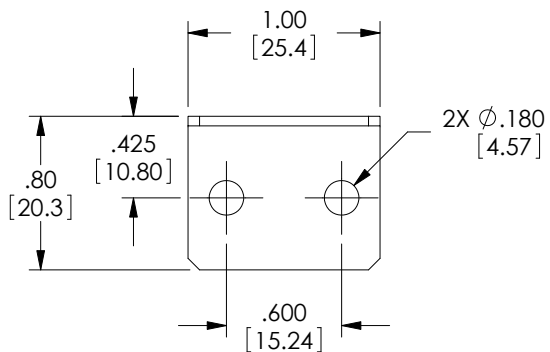
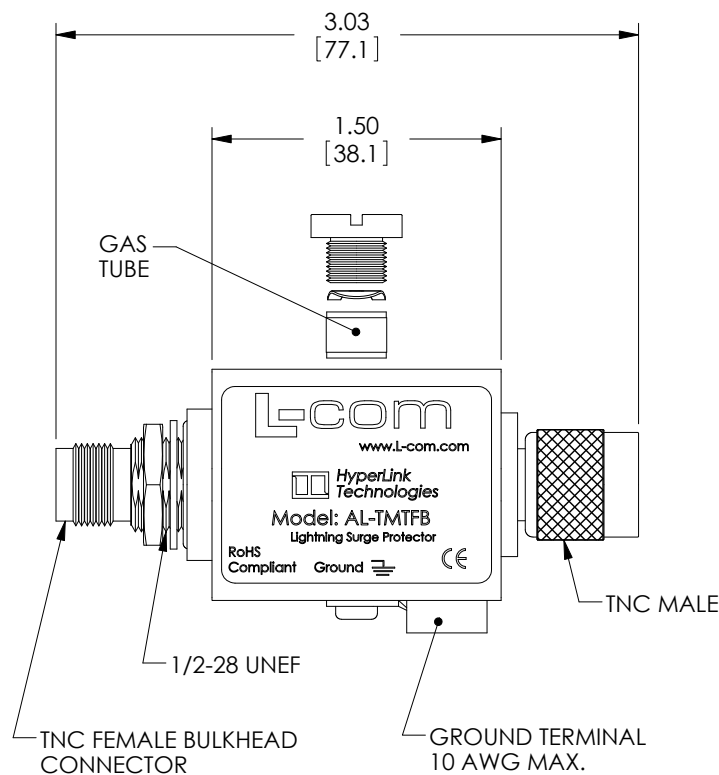


THE INFORMATION CONTAINED IN THIS DRAWING IS THE SOLE PROPERTY OF L-COM, INC. ANY REPRODUCTION IN PART OR WHOLE WITHOUT THE WRITTEN PERMISSION OF L-COM, INC. IS PROHIBITED.

REVISIONS			
REV	DESCRIPTION	DATE	APPROVED
A	RELEASED	11/11/08	KB
B	ECN5050: UPDATED FORMAT. ADDED MNT BRKT. ADDED NOTES.	09/28/10	DFP
C	ECN 5374: REDRAWN TO MATCH SUPPLIER SPECS	3/9/11	D_CASTRO
D	ECN 6236 REVISED NOTE 4	06/21/12	B.PUCHASKI



MOUNTING BRACKET



NOTE:

1. MOUNTING BRACKET MATERIAL: .05 [1.27] THK ALUMINUM
2. PROTECTOR MATERIAL:
 BODY: ALUMINUM
 CONTACT: GOLD PLATED BRASS
 INSULATOR: TEFLON
3. PACKAGE IN ACCORDANCE WITH L-COM SPECIFICATION
4. FREQUENCY: 0-3GHZ

UNLESS OTHERWISE SPECIFIED, DIMENSIONS ARE IN INCHES [mm] OVERALL CABLE LENGTH TOLERANCE: ≤12 [305] = +1 [25] / -0 >12 [305] ≤60 [1524] = +2 [51] / -0 >60 [1524] ≤120 [3048] = +4 [102] / -0 >120 [3048] ≤300 [7620] = +6 [152] / -0 >300 [7620] = +3% / -0% ALL OTHER DIMENSIONAL TOLERANCES: .X = ±.2 .XX = ±.02 .XXX = ±.005	APPROVALS DRAWN BY K. BURGNER CHECKED BY K. BURGNER APPROVED BY K. BURGNER	DATE 11/11/2008 11/11/2008 11/11/2008	45 BEECHWOOD DRIVE NORTH ANDOVER, MA 01845	
	CONFIGURATION DETAILS OF UNDIMENSIONED FEATURES MAY VARY			CATEGORY LIGHTNING PROTECTOR
	PROJECTION 	COLOR VARIATIONS MAY OCCUR	SIZE A	FSCM NO. 43321
	SCALE: NONE		DWG. NO. AL-TMTFB	REV. D
CAD FILE: AL-TMTFB.SLDDRW			SHEET 1 OF 1	