



Contact Sensor
PXCNTMR Series
 V1.1



User's manual

Thank you for choosing L-com. Please read the manual carefully before using this product.

- The product should be applied by someone with a certain level of electrical knowledge.
- Please read and make sure that you understand how to operate the product before using it.
- Please keep this manual readily accessible for future reference when needed.

WARNING

Please comply with the warnings indicated below for they are important.

Please do not exceed maximum rated voltage during usage in order to prevent tester malfunction or fire.

Please do not apply AC power supply to avoid breakage.

Please do not subject the product to high temperature to avoid scalding.

SAFETY PRECAUTIONS

To ensure your safety, make sure to observe the following:

- Do not use in environments that are flammable or contain explosive or corrosive gases, chemicals, steam or humidity.
- Do not use it in environments with water, oil or other liquids.
- Please do not disassemble, repair or rebuild this product.
- Do not use beyond the recommended voltage and current range.
- Please observe electrical polarity when making connections.
- Please connect the load correctly.
- Please avoid short-circuiting the load.
- Please do not operate the product if the housing is broken.
- When disposing the tester, please treat it as industrial waste.
- Depending on the operating conditions (ambient temperature, supply voltage, others), the temperature of the sensor surface may increase. In operation and cleaning, please note that there is a danger of burns.

NOTICE FOR USE

- Do not use in direct sunlight.
- Do not install in a place that is easily accessible by anyone except the user.
- Do not install in an environment with excessive vibration that may cause direct shock to the product.
- Housing the product's wire and power lines in the same piping may cause disturbance, malfunction or even destruction of the product.
- The extension wire requires a wire with a cross-sectional area of 0.3 mm or more and a length of 100 m or less. In case the Korean S-mark certification model is used as a certification product, please ensure that it is set below 10 m.
- If force is applied to the wire, please refer to the following: below 40N, 0.1N·m torque less, 20N or less and 3 kg below the bending.
- When the power is turned on, the product can be detected within 200 ms. Hence, if the load and product are connected to different power supplies, the product's power must be turned on first.
- When the power is turned off, an output pulse may be generated. Please cut off the power supply of the load or load line to prevent the same.
- Please avoid using thinner, gasoline, acetone, kerosene or other solvents to clean the product.

PACKAGE CONTENTS

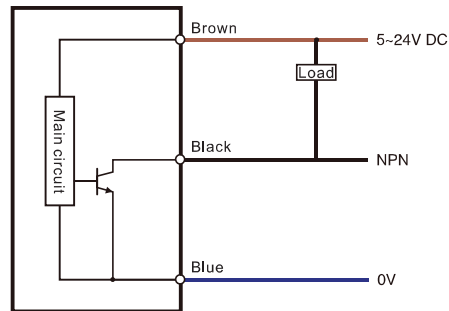
- Sensor 1 pcs
- User's manual 1 pcs

SPECIFICATION

Main Model No.	PXCNTMR-T6-B/LED	PXCNTMR-T8A-B/LED	PXCNTMR-T8B-TX
Operating voltage	5~24V DC		
Position repeat accuracy	±0.001mm		
Range	1.2mm	3mm	
Operating force	0.3N	0.6N	
Pretravel	0.4~0.7mm		
Movement Differential	< 0.1mm		
Action frequency	120 times/min		
Output type	NPN NO/NC selectable		
Output current	No indicator: ≤ 15mA, with indicators: ≤ 12mA		
Current consumption	No indicator: ≤ 15mA, with indicators: ≤ 12mA		
Withstand voltage	AC1000V 1min		
Insulation strength	250V DC ≥20MΩ		
Ambient temperature	-20°C~+85°C, No freezing		
Ambient humidity	20%~95%RH, No condensation		
Housing, nuts and shaft material	SUS303		
Indicator	Approx 100mm away from the main body		
Mounting	With M6 nuts, tightening torque 2N·m	With M8 nuts, tightening torque 5N·m	
Degree of protection	IP67		
Connection	1M 3core cable		

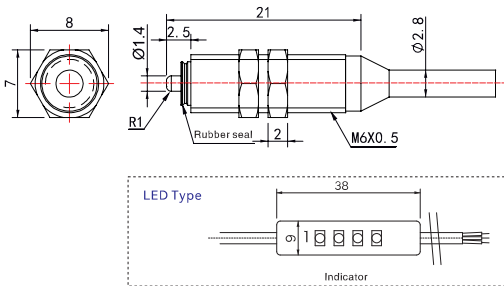
DIMENSION

PXCNTMR-T6-B/LED

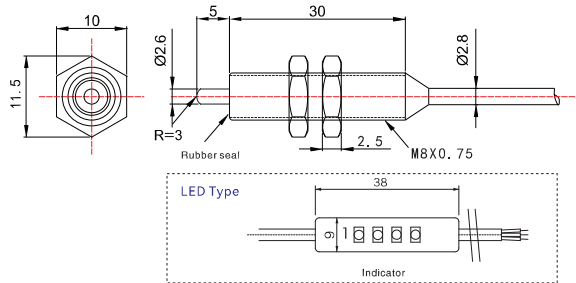


DIMENSIONS

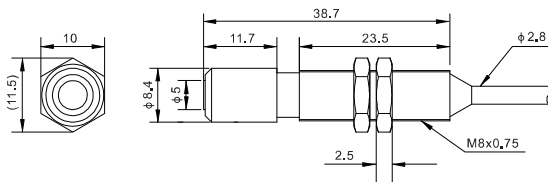
PXCNTMR-T6-B/LED



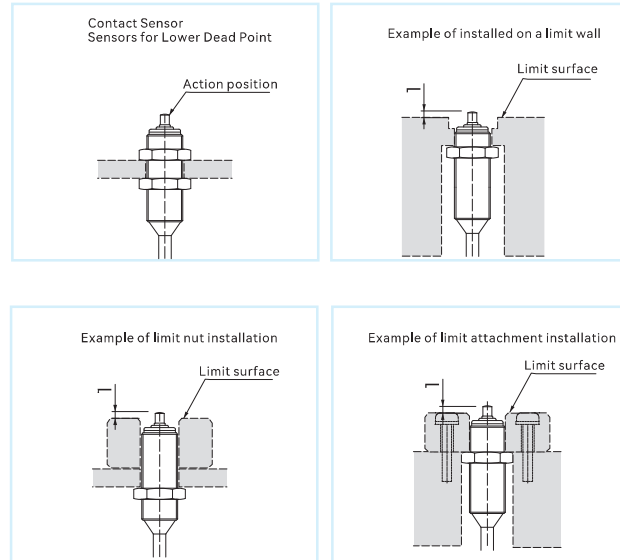
PXCNTMR-T8A-B/LED



PXCNTMR-T8B-TX



THREAD SENSOR USE EXAMPLE



PRECAUTIONS

Cautions for use:

- (1) Although this product is expected to work perfectly, an operating mistake or malfunction may have the potential to develop into a major personal accident or cause increased damage. Hence, it is recommended to take safety measures such as setting up a double circuit.
- (2) Please do not press the buttons with exceeded force as that may cause damage.
- (3) If the product is exposed to a strong magnetic field (above 1000 Gauss), it may result in operating error.

Electrical wiring considerations:

- (1) It is strongly recommended to prevent reverse connection by following the wiring example for correct wiring. Please do not reverse the power supply.
- (2) When driving the relay below 12ma, connect the diode in a parallel manner.

Installation Precautions:

- (1) Please follow the specified torque of various sensors while mounting.
- (2) Short Line for Cable Outlet:
 - (i). Do not apply excessive pressure on the cable outlet of the sensor (tensile strength 20N, minimum bend radius R7).
 - (ii). When the cable is moving, fix the cable in the middle to avoid stress on the outlet.

WARRANTY

Warranty period

- The product warranty period is one year, from the date of delivery of the product to the date of purchase.

Warranty range

1. L-com will repair the product free of charge if there is a malfunction caused by L-com Company within the above-mentioned warranty period. But the following will not be covered by the warranty:
 - Damage caused due to failure in following operating instructions or user manual specifically, when the L-com company has fulfilled the technical requirements in the given environment.
 - Malfunction that occurs due to purchaser's equipment or software rather than product defects.
 - Malfunction caused by modifications or repairs by non-L-com company personnel. (Please ensure that correct repair or replacement of wearing parts is done in accordance with the operating instructions or provided user manual to avoid malfunction.)
 - Malfunction or inefficiency of the product after delivery caused due to unpredictable changes in science and technology.
 - Damage or malfunction caused by fire, earthquake, floods and/or other natural disasters or abnormal voltage and other external factors.
2. The warranty is limited to the conditions specified in Article (1), and L-com Company shall not be liable for any indirect loss (damage to equipment, loss of opportunity, loss of profits, etc.) or other loss caused by its equipment.