



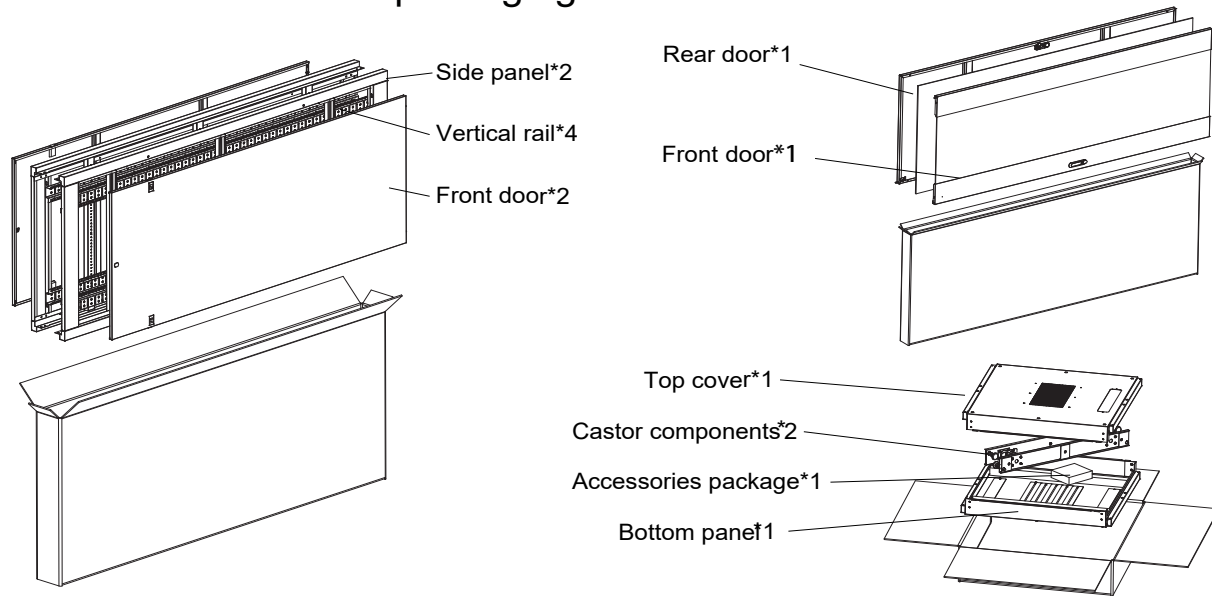
SN06 Series Standing Network Rack Assembly Instruction

Contents

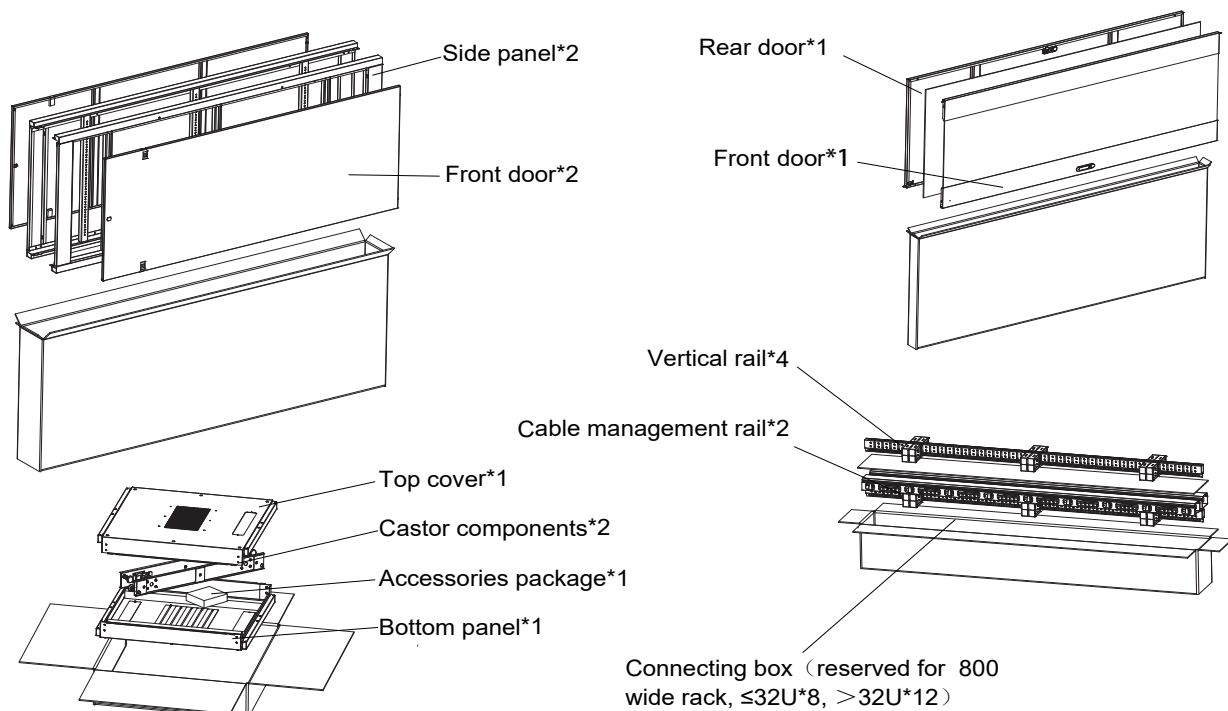
Packing Method	03
Accessories List	04
Component List	04
Assembly Instruction	06
Step 1	06
Step 2	06
Step 3	07
Step 4	07
Step 5	08
Step 6	09

Packing Method



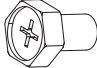



600mm wide cabinet packaging



800mm wide cabinet packaging



Accessories List

S/N	QTY	SCREWS NUTS	
H1	32(56)		M5x12 Self-tapping Screw (600 wide series 32 screws 800 wide series 56 screws)
H2	2		White plastic washer
H3	6		M8*12 External hexagon cross screw
H4	40		M6x12 Screw
H5	40		M6 Cage Nut
H6	1		200mm Phillips screwdriver (800 wide special tools)

Component List

S/N	QTY	COMPONENT
1	2	Side door
2	1	Rear door
3	1	Top cover
4	2	Door frame
5	4	Vertical rail

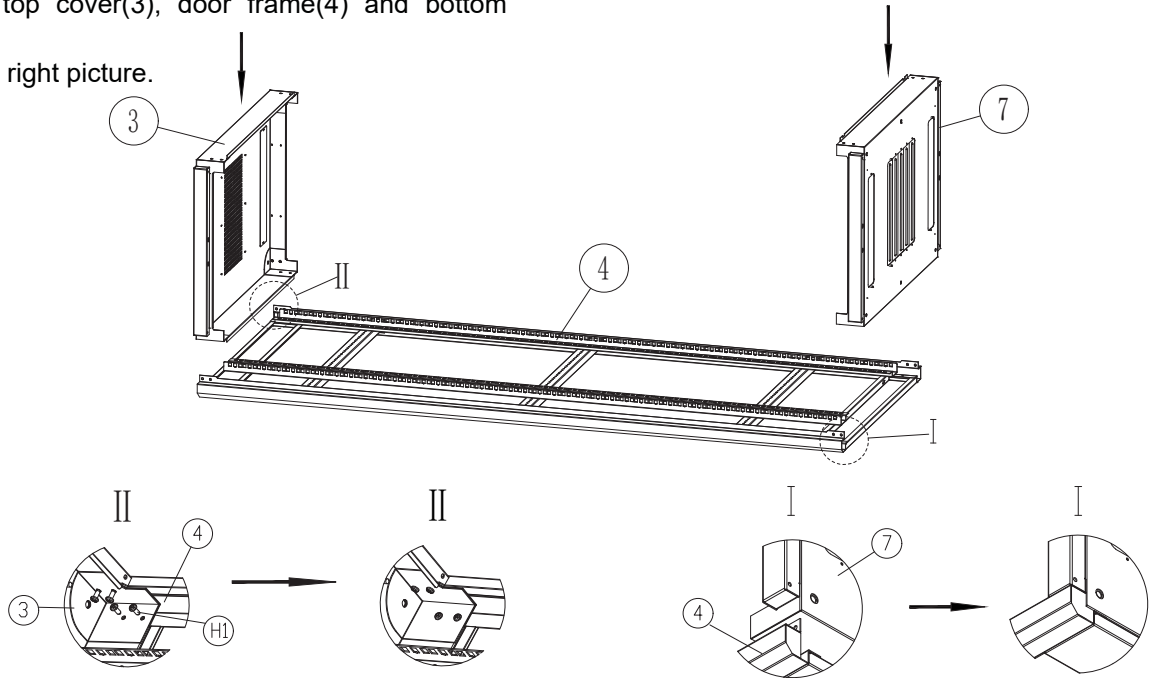
S/N	QTY	COMPONENT
6	1	Front door
7	1	Bottom plate
8	2	Castor components
9	12	Connecting box (≤32U with 8 connecting boxes, > 32U with 12 connecting boxes)
10	2	Cable management rail

Assembly Instruction

Step 1:

Snap the top cover and bottom plate(7) into the door frame(4). Use M5*12 Self-tapping screw (H1) to connect top cover(3), door frame(4) and bottom plate(7).

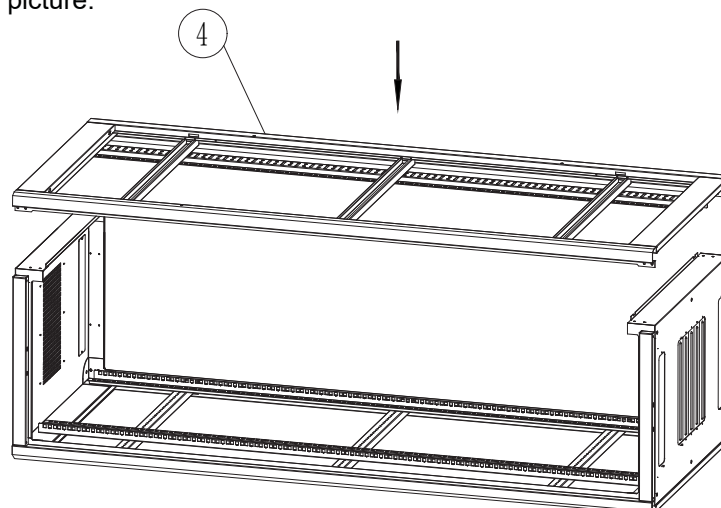
Refer the right picture.



Step 2:

Put another door frame(4) on the top cover and bottom plate, and also fix it with M5*12 self-tapping screws.

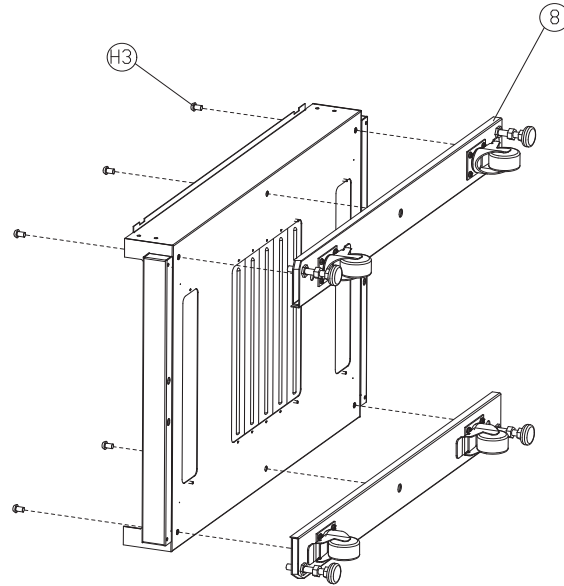
Refer the right picture.



Step 3:

Mount the Castor components(8)on the bottom plate with the M8x12 External hexagon cross screw(H3)

Refer the right picture.

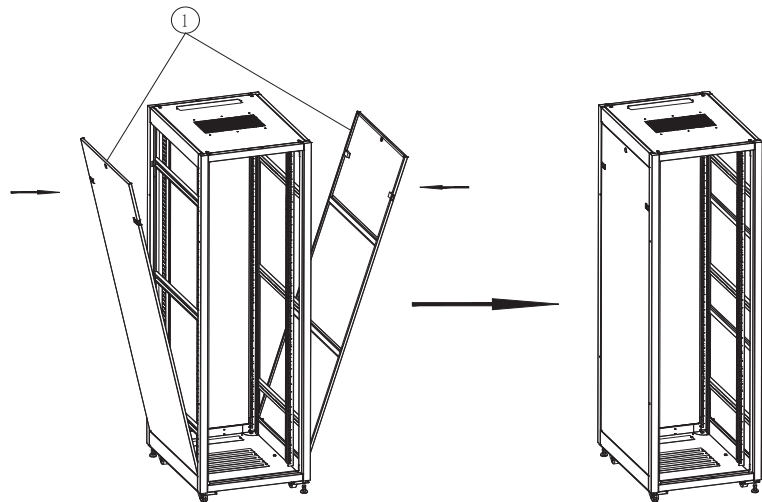


Step 4:

Insert the positioning pin at the bottom of the side door(1) into the positioning hole, and push the side door inward to fix the side door on the frame.

Remark:because the product is detachable design, after assemble, please check and adjust the diagonal dimension, ensure the space between doors are acceptable, doors could open and close well.

Refer the right picture.

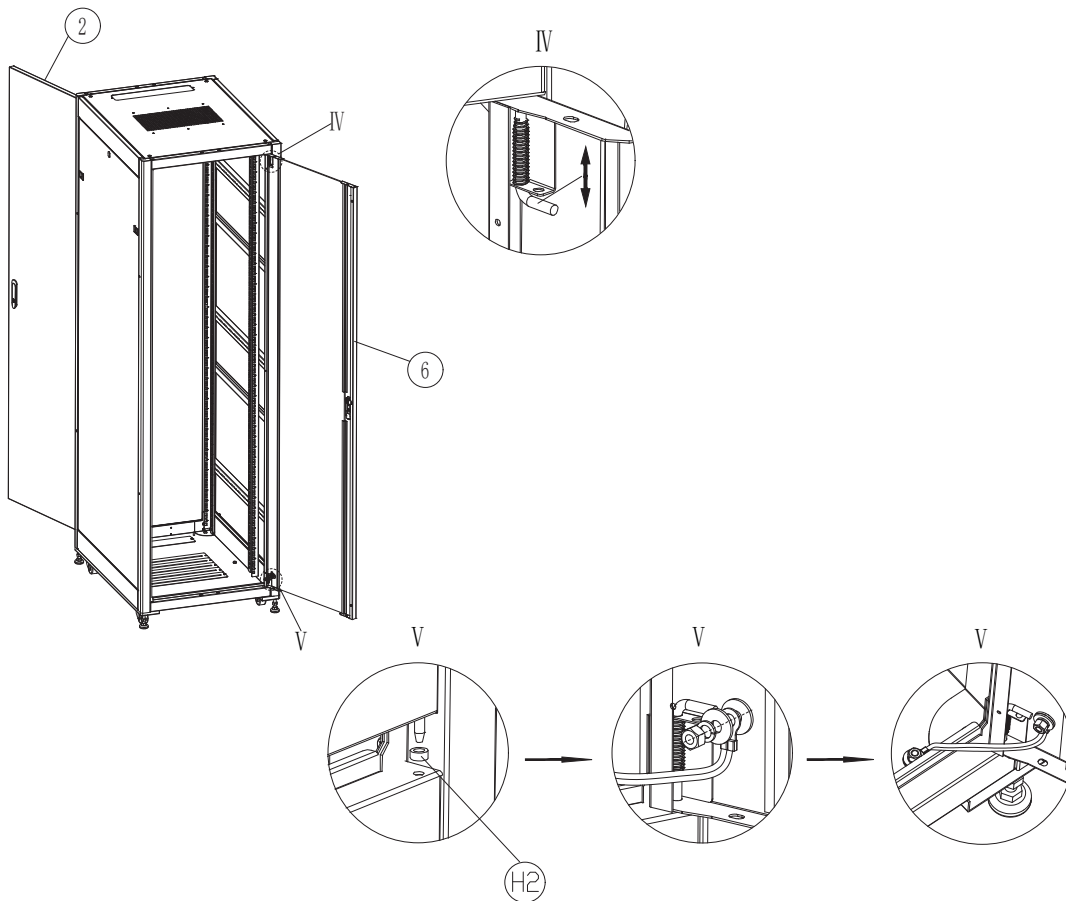


Step 5:

Install the front door (6) and rear door (2), align the front and rear door latches with the latch holes of the door frame, and place a white plastic washer (H2) between the bottom of the door and the door frame. Install the grounding kit between the front and rear doors and the base plate.

Remark: After the installation is completed, please check that the gap between the front and rear doors and the door frame is within the normal range to ensure that the door can be opened normally.

Refer the right picture.



Step6: Vertical rail and Cable management rail installation(800mm width)

After step 3, you need to pass a 200mm Phillips screwdriver (800 wide special tools)screwdriver through the OB hole of the Vertical rail(5), and use M5*12 self-tapping screws (H1) to install the connection box (9), Vertical rail(5) and 800-wide cable manager rail (10) on the beam of the door frame.

Remark: The distance between the front and rear vertical rail can be adjusted according to your equipment installation depth.

Refer the picture below.

