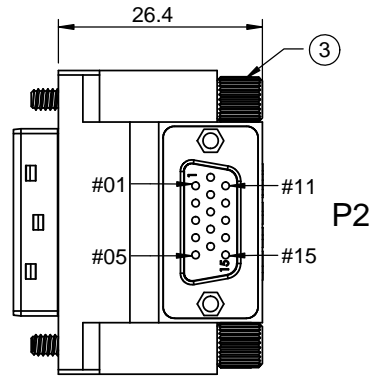
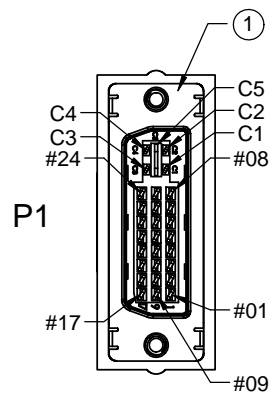
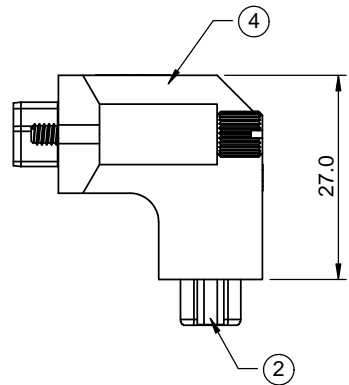


THE INFORMATION CONTAINED IN THIS DRAWING IS THE SOLE PROPERTY OF L-COM, INC. ANY REPRODUCTION IN PART OR WHOLE WITHOUT THE WRITTEN PERMISSION OF L-COM, INC. IS PROHIBITED.

REVISIONS			
REV	DESCRIPTION	DATE	APPROVED
A	INITIAL RELEASE	07/03/17	J.YOU



PIN OUT


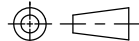
P1	P2	P1	P2
1	1	16	16
2	2	17	17
3	3	18	18
4	4	19	19
5	5	20	20
6	6	21	21
7	7	22	22
8	8	23	23
9	9	24	24
10	10	C1	C1
11	11	C2	C2
12	12	C3	C3
13	13	C4	C4
14	14	C5	C5
15	15	S	S

NOTES

- Electrical Properties:**
1. It should be no any open/short, miswiring and intermittent failures.
 2. The cable shall be 100% electrical test.
 3. Voltage test: DC 300V 10MS;
Insulation resistance: 5.0M ohm/min;
Conductance resistance: 5.0 ohm/max.

- Machinery Character:**
1. All dimension are "mm" except specified.
 2. The cable should be clean, free of oiled/flash/burred.
 3. Package: Individually packaged in a clear polybag.
 4. Cable Ass'y shall be RoHS Compliant.

Item	DESCRIPTION	UNIT	QTY
4	Outer molded: 45P PVC, Color: Black.	G	10
3	Screw: 3.0*37.0MM(#4-40UNC), nickel plated.	PCS	2
2	P2 Conn: HDB15P, female, with front screw, insulaton Blue, shell & pin gold flash.	PCS	1
1	P1Conn:DVI (24+5)pin, male, insulaton black, shell & pin gold flash.	PCS	1

UNLESS OTHERWISE SPECIFIED, DIMENSIONS ARE IN INCHES [mm]	APPROVALS	DATE			
	DRAWN BY J.YOU	07/03/17			
	CHECKED BY B.GATES	07/03/17			
	APPROVED BY B.GATES	07/03/17			
DIMENSIONAL TOLERANCES: .X ± 1 [2.54] .XX ± 0.1 [2.5] .XXX ± 0.05 [1.3]	CATEGORY AUDIO/VIDEO		PRODUCT DESCRIPTION DVI 24+5 M TO VGA F ADPTR		
ANGULAR TOLERANCES: ANGLES: ±1°	CONFIGURATION DETAILS OF UNDIMENSIONED FEATURES MAY VARY				
PROJECTION 	COLOR VARIATIONS MAY OCCUR	SIZE A	FSCM NO. 43321	DWG. NO. VIC00003	REV. A
SCALE: NONE		CAD FILE: VIC00003.SLDRW		SHEET 1 OF 1	