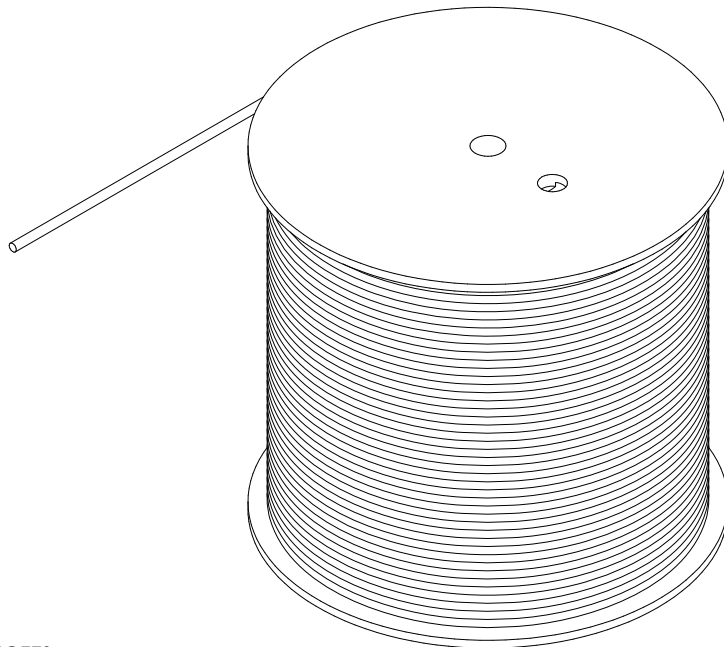


THE INFORMATION CONTAINED IN THIS DRAWING IS THE SOLE PROPERTY OF L-COM, INC. ANY REPRODUCTION IN PART OR WHOLE WITHOUT THE WRITTEN PERMISSION OF L-COM, INC. IS PROHIBITED.

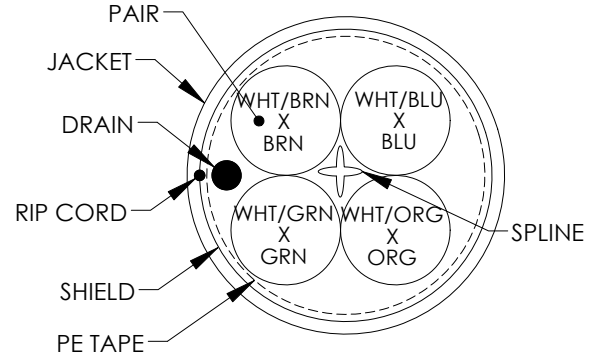
REVISIONS			
REV	DESCRIPTION	DATE	APPROVAL
A	REV A DRAWING RELEASED	09/28/2018	DFRISIELLO

TFPC6A-WHT

TFPC6A-WHT CONSISTS OF 1000 FEET OF CONTINUOUS LENGTH BULK CABLE



CROSS-SECTIONAL VIEW


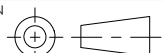


- COLOR CODE**
 1) BLUE x WHITE/BLUE
 2) ORANGE x WHITE/ORANGE
 3) GREEN x WHITE/GREEN
 4) BROWN x WHITE/BROWN

NOTES:

- CONSTRUCTION:**
 CONDUCTOR: 23 AWG SOLID BARE COPPER

 PAIRS: COLOR CODED SINGLES TWISTED INTO PAIRS
 CABLE: (4) TWISTED PAIRS TWISTED TOGETHER TO FORM A CABLE CORE WITH A SPLINE DIVIDER
 SHIELD: AN ALUMINUM POLYESTER FOIL SHIELD (100% COVERAGE) OVER PE TAPE WRAP.
 A SOLID TINNED COPPER DRAIN WIRE IN CONTACT WITH THE OUTER SURFACE.
 JACKET: PLENUM, PVC, COLOR, WHITE, WITH RIP CORD
 OVERALL CABLE DIAMETER: 0.268±0.012 [6.8 ±0.3mm]
- PHYSICAL PROPERTIES:**
 TEMPERATURE RATING, MAX. 80°C
 TEMPERATURE RATING, MIN. -20°C
- AGENCY APPROVALS:**
 NEC ARTICLE 800, UL 444TYPE CMP RATING FT6, ETL VERIFIED TO ANSI-TIA 568.2 CATEGORY 6, C(ETL)US RoHS COMPLIANT
- JACKET PRINT:**
 4PR 23AWG SOLID CAT6A AUGMENTED 10GS SHIELDED 75C CMP E328429 (UL) ANSI/TIA 568.2 RoHS COMPLIANT XXXXFT
- ELECTRICAL CHARACTERISTICS: (FOR 100m OF CABLE)**
 VOLTAGE RATING 30V
 CAPACITANCE 5.6nF/100m NOMINAL
 VELOCITY OF PROPAGATION 65%
 MAX CONDUCTOR D.C. RESISTANCE 9.38 Ω/100m NOMINAL
 MAX D.C. RESISTANCE, UNBALANCE 5%
- CHARACTERISTIC IMPEDANCE**
 1 MHz - 100 MHz 100 ± 15%
 101 MHz - 250 MHz 100 ± 22%
 251 MHz - 550 MHz 100 ± 25%
- PACKAGING:**
 CABLE SHIPPED ON A SPOOL
- REGULATORY COMPLIANCE:**
 CE2011/65/EU(RoHS DIRECTIVE)
 UL LISTED

UNLESS OTHERWISE SPECIFIED, DIMENSIONS ARE IN INCHES [mm] OVERALL CABLE LENGTH TOLERANCE: ≤12 [305] = +1 [25] / -0 >12 [305] - 60 [1524] = +2 [51] / -0 >60 [1524] - 120 [3048] = +4 [102] / -0 >120 [3048] - 300 [7620] = +6 [152] / -0 >300 [7620] = +5% / -0% ALL OTHER DIMENSIONAL TOLERANCES: .X = .2 [5.08] .XX = .02 [51] .XXX = .005 [13]	APPROVALS	DATE	 50 HIGH STREET NORTH ANDOVER, MA 01845			
	DRAWN BY DFRISIELLO	09/28/2018				
	CHECKED BY MPATEL	09/28/2018	CATEGORY	TELECOM/MODULAR		
	APPROVED BY DGUTTADAURO	09/28/2018	PRODUCT DESCRIPTION	Cat6a F/UTP 23SLD CMP WHT		
PROJECTION	CONFIGURATION DETAILS OF UNDIMENSIONED FEATURES MAY VARY	COLOR VARIATIONS MAY OCCUR	SIZE A	FSCM NO. 43321	DWG. NO. TFPC6A-WHT	REV. A
			SCALE: 1:4	CAD FILE: TFPC6A-WHT.SLDDRW	SHEET 1 OF 1	