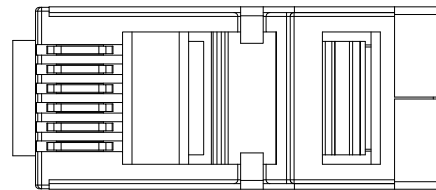
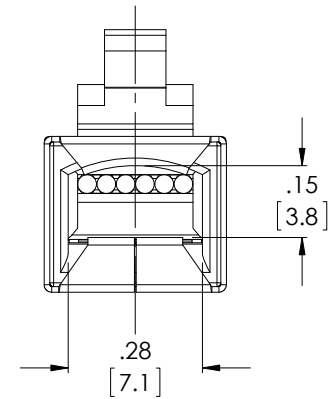
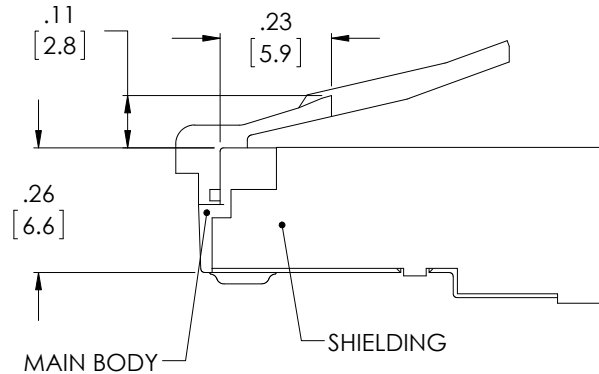
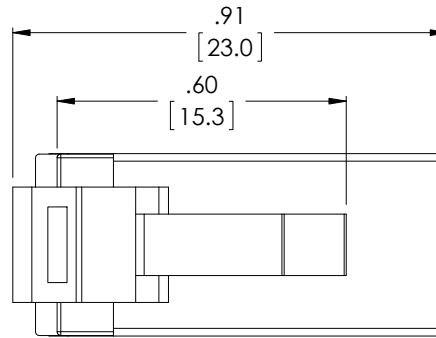
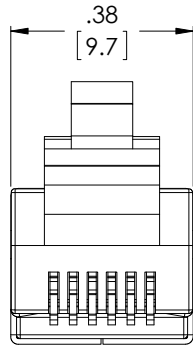


THE INFORMATION CONTAINED IN THIS DRAWING IS THE SOLE PROPERTY OF L-COM, INC. ANY REPRODUCTION IN PART OR WHOLE WITHOUT THE WRITTEN PERMISSION OF L-COM, INC. IS PROHIBITED.

REVISIONS			
REV	DESCRIPTION	DATE	APPROVED
A	RELEASED FOR PRODUCTION	9/18/13	DFP



**NOTES:**

**MATERIAL:**

CONTACTS: COPPER ALLOY; 50μ" Min. GOLD OVER NICKEL  
 HOUSING: POLYCARBONATE, UL94 V-0  
 SHIELD: BRASS; NICKEL PLATED

**ELECTRICAL:**

RATING: 250 VAC MAX. AT 2A.  
 CONTACT RESISTANCE: 20mOHMS MAX.  
 DIELECTRICAL WITHSTANDING VOLTAGE: 1000V DC/ 1 MIN  
 INSULATION RESISTANCE: 500MOHMS MIN. AT 1000V DC/ 1 MIN  
 OPERATING TEMPERATURE: -40°C~+125°C

**MECHANICAL:**

INTERFACE DIMENSION AND PERFORMANCE REQUIRED IN ACCORDANCE WITH TIA-1096-A  
 CABLE TO PLUG TENSILE STRENGTH: 9Kg MIN.  
 DURABILITY: 2000 CYCLES Min.

**PACKAGING:**

COMPONENT SHALL BE PACKAGED IN BULK, 50 PIECES PER BAG IN ACCORDANCE WITH L-COM SPECIFICATION PS-0031.

ALL DIMENSIONS ARE FOR REFERENCE ONLY

**REGULATORY COMPLIANCE:**

CE2011/65/EU (RoHS DIRECTIVE)

UNLESS OTHERWISE SPECIFIED, DIMENSIONS ARE IN INCHES [mm] OVERALL CABLE LENGTH TOLERANCE: ≤12 [305] = +1 [25] / -0 >12 [305] ≤60 [1524] = +2 [51] / -0 >60 [1524] ≤120 [3048] = +4 [102] / -0 >120 [3048] ≤300 [7620] = +6 [152] / -0 >300 [7620] = +5% / -0%  ALL OTHER DIMENSIONAL TOLERANCES: .X = ± .2 [5.08] .XX = ± .02 [51] .XXX = ±.005 [1.27]	APPROVALS D. DESJARDIN	DATE 9/18/13	50 HIGH STREET NORTH ANDOVER, MA 01845		
	CHECKED BY D. FRISIELLO	9/18/13	CATEGORY TELECOM/MODULAR		
	APPROVED BY D. GALLAGHER	9/18/13	PRODUCT DESCRIPTION PLUG RJ12 6X6 SHIELDED 50PK		
	PROJECTION 	COLOR VARIATIONS MAY OCCUR	SCALE: NONE	CAD FILE: TD6P6CSR-L.SLDDRW	SHEET 1 OF 1

50 HIGH STREET  
 NORTH ANDOVER, MA  
 01845

CATEGORY  
 TELECOM/MODULAR

PRODUCT DESCRIPTION  
 PLUG RJ12 6X6 SHIELDED 50PK

SIZE **A** FSCM NO. **43321** DWG. NO. **TD6P6CSR-L** REV. **A**

SCALE: NONE CAD FILE: TD6P6CSR-L.SLDDRW SHEET 1 OF 1