

Inductive Proximity Sensor, Cylindrical, M6, Shielded, Ni-plated Brass, NPN NO, Sensing Distance 1 mm, 2 meter 3-wire cable



PXIND-63001NA

Inductive Proximity Sensor

Features

- Fast Response
- Corrosion Resistant Housing
- Short-Circuit & Reverse Polarity Protection
- IP67 Protection

Applications

- Industrial Automation
- Automotive
- Materials Production
- Warehouse Automation
- Food & Beverage
- Robotics

Description

The L-com PXIND-63001NA inductive proximity sensor is utilized for contactless object detection, part counting or positioning in industrial automation and process control applications. Our cylindrical (shielded) inductive IOT sensor is constructed of Ni-plated brass and ABS and features a tough industrial grade IP67 housing. This sensor has a sensing distance of 1 mm and is unaffected by the color or transparency of objects

General Specifications

Type	Inductive Proximity Sensor
Design Type	Cylindrical (Shielded)
Form Factor	M6
Output Type	NPN
Sensing Distance	1 mm
DC Supply Voltage Repeat	10-30 VDC
Accuracy Insulation	0.01 mm
Resistance	≥30 MΩ
IP Rating	IP67
Housing Material	Ni-plated brass/ABS
Current Consumption	15 mA
Protective Circuit	Short Circuit and Reverse Polarity
Connection Method	2 meter 3-wire cable
Load Current	200 mA
Voltage Drop	3 V
Indicator	LED
Mounting	Non-threaded
Switch Frequency	500 Hz

Click the following link (or enter part number in "SEARCH" on website) to obtain additional part information including price, inventory and certifications:
[Inductive Proximity Sensor, Cylindrical, M6, Shielded, Ni-plated Brass, NPN NO, Sensing Distance 1 mm, 2 meter 3-wire cable PXIND-63001NA](#)

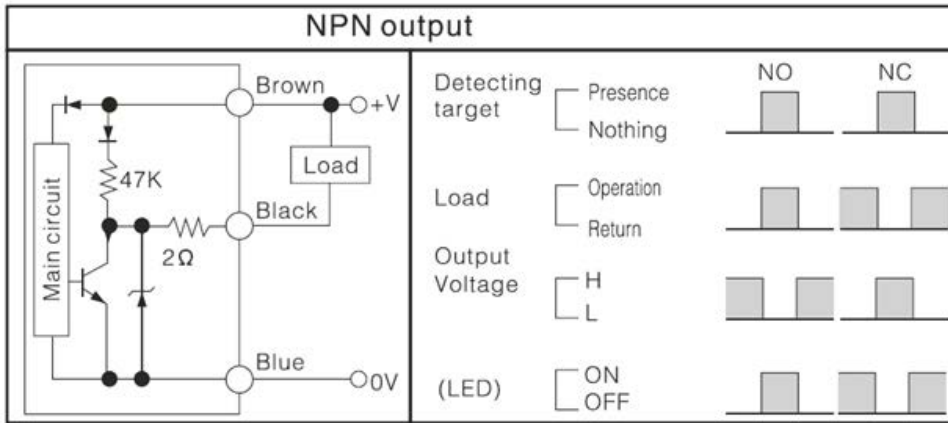
Inductive Proximity Sensor, Cylindrical, M6, Shielded, Ni-plated Brass, NPN NO, Sensing Distance 1 mm, 2 meter 3-wire cable



PXIND-63001NA

Inductive Proximity Sensor

Circuit Diagram



Environmental Specifications

Temperature

Operating Range

-25 to +75 deg C

Inductive Proximity Sensor, Cylindrical, M6, Shielded, Ni-plated Brass, NPN NO, Sensing Distance 1 mm, 2 meter 3-wire cable from L-com has same day shipment for domestic and International orders. Our portfolio includes coaxial cable assemblies, connectors, adapters and custom products as well as lightning and surge protectors, NEMA rated enclosures, and an RF product line which includes antennas, amplifiers, passive, and active components.

The information contained within this document is accurate to the best of our knowledge and representative of the part described herein. It may be necessary to make modifications to the part and/or the documentation of the part in order to impliment improvements. L-com reserves the right to make such changes as required. Unless otherwise stated, all specifications are nominal. L-com does not make any representation or warranty regarding the suitability of the part described herein for any particular purpose, and L-com does not assume liability arising out of the use of any part or document.

Inductive Proximity Sensor, Cylindrical, M6, Shielded, Ni-plated Brass,
NPN NO, Sensing Distance 1 mm, 2 meter 3-wire cable

L-com CAD Drawing

