

Contact Sensor, cylindrical, threaded M8, stainless steel, NPN on-off, 3mm range, 1um repeat accuracy, 1m 3-wire cable



PXCNTMR-T8A-B

Contact Sensor

Features

- High repeat accuracy 0.001mm
- Stainless Steel construction
- NPN output
- IP67 protection
- LED Indicator

Applications

- Manufacturing
- Food and Beverage
- Automotive
- Material Handling
- Warehouse Automation

Description

The L-com PXCNTMR-T8A-B is a contact sensor, which is designed in a cylindrical shape and is suitable for manufacturing, automotive, material handling, warehouse automation, and food and beverage industries. This threaded M8 sensor has an industry-standard form factor, stainless steel housing and a rugged IP67 rating for demanding environments.

General Specifications

Design Type	Cylindrical
Output Type	NPN
Supply Voltage	5-24 VDC
Range	3 mm
Repeat Accuracy	0.001 mm
Insulation Resistance	>20MΩ@250 VDC
IP Rating	IP67
Housing Material	SUS303
Housing Size	M8
Movement Differential	0.1 mm
Pretravel	0.4 to 0.7 mm
Connection Method	1M 3-wire cable
Output Current	15 mA
Operating Force	0.6 N
Indicator	Cable embedded LED, 100mm away from the main body
Mounting	With M8 nuts, tightening torque 5Nm

(For more information please consult User Manual)

Click the following link (or enter part number in "SEARCH" on website) to obtain additional part information including price, inventory and certifications:
Contact Sensor, cylindrical, threaded M8, stainless steel, NPN on-off, 3mm range, 1um repeat accuracy, 1m 3-wire cable PXCNTMR-T8A-B

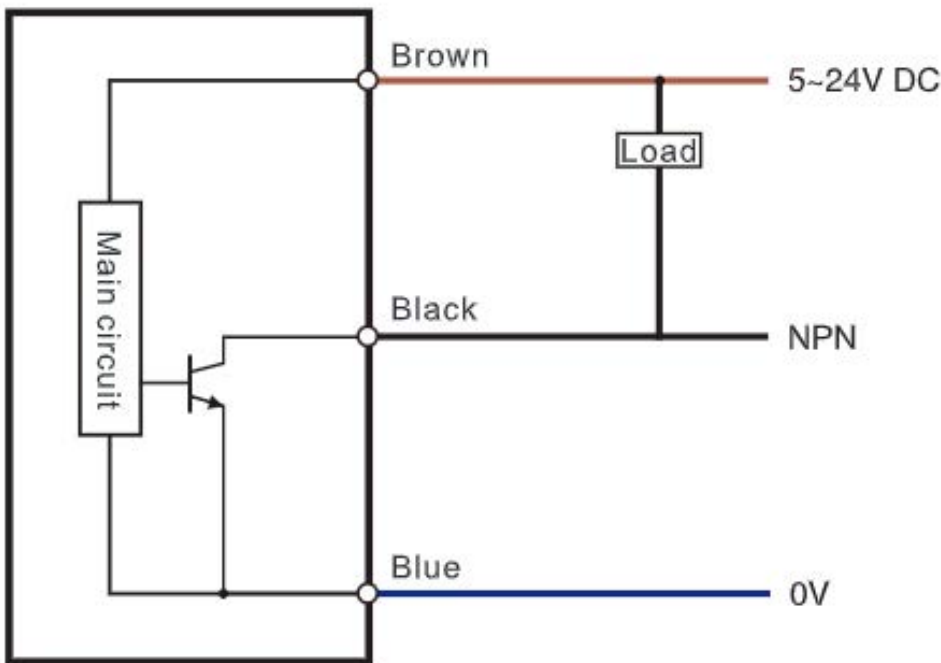
Contact Sensor, cylindrical, threaded M8, stainless steel, NPN on-off, 3mm range, 1um repeat accuracy, 1m 3-wire cable



PXCNTMR-T8A-B

Contact Sensor

Circuit Diagram



Environmental Specifications

Temperature

Operating Range

-20 to +85 deg C

Humidity

Operating Relative

20% to 95%

Contact Sensor, cylindrical, threaded M8, stainless steel, NPN on-off, 3mm range, 1um repeat accuracy, 1m 3-wire cable from L-com has same day shipment for domestic and International orders. Our portfolio includes coaxial cable assemblies, connectors, adapters and custom products as well as lightning and surge protectors, NEMA rated enclosures, and an RF product line which includes antennas, amplifiers, passive, and active components.

The information contained within this document is accurate to the best of our knowledge and representative of the part described herein. It may be necessary to make modifications to the part and/or the documentation of the part in order to implement improvements. L-com reserves the right to make such changes as required. Unless otherwise stated, all specifications are nominal. L-com does not make any representation or warranty regarding the suitability of the part described herein for any particular purpose, and L-com does not assume liability arising out of the use of any part or document.

Contact Sensor, cylindrical, threaded M8, stainless steel, NPN on-off, 3mm range, 1um repeat accuracy, 1m 3-wire cable

L-com CAD Drawing

