



Pressure Transmitter, 0-1.6MPa, 5V Supply, 0.5-4.5V signal, cable electrical connection NPT1/4 M

PT9503 Series IOT Pressure Sensors Technical Data Sheet

PT9503-1600KV6KB2C6

Features

- Pressure range 0-1.6MPa
- Micro-fused technology, dry-type structure
- Water hammer preventing and cracking resistant
- Compact structure, high cost-effectiveness
- Temperature compensation and linear correction

Applications

- IoT Terminal
- Smart Firefighting
- Smart Agriculture irrigation
- Pipeline, Water pressure control system

Description

PT9503-1600KV6KB2C6 is a highly stable and reliable pressure transmitter with span and zero correction. It is a cost-effective product which adopts micro-fused technology pressure sensor and special designed amplifier circuit. With linear correction and temperature compensation, it can effectively resist water hammer effect, solve the problem of momentary overload pressure and also could meet different needs for pressure measurements and control in various environmental conditions.

Product Configuration

Application: Pressure Transmitter
Electrical Connector: NPT1/4 Male

General Specifications

Description	Minimum	Typical	Maximum	Unit
Pressure Range	0		1.6	MPa
Accuracy		±1.0		%Full Scale
Zero Thermal Error per °C		±0.02		% Full Scale/°C
Span Thermal Error per °C		±0.02		% Full Scale/°C
Compensated Temp Range	0		70	°C
Burst Pressure		12		MPa
Overpressure		2		xFull Scale

Electrical Specifications

Description	Minimum	Typical	Maximum	Unit
Output Signal		0.5-4.5VDC		
Power Supply/Excitation Level			5	VDC
Insulation Resistance @250V DC		100		MΩ

Material Specifications

Description	Material
Diaphragm	Stainless Steel 17-4PH



an INFINIT® brand

Pressure Transmitter, 0-1.6MPa, 5V Supply, 0.5-4.5V signal, cable electrical connection NPT1/4 M



PT9503 Series IOT Pressure Sensors Technical Data Sheet

PT9503-1600KV6KB2C6

Plug Housing	Stainless Steel 304
O-Ring	NBR

Mechanical Specifications

Electrical Connection

Wire Color	Connection
Red	+V
Green	+OUT
Black	GND
IP67	Cable

Environmental Specifications

Temperature (Operating)	0°C to 70°C
Temperature (Storage)	-20°C to 100°C
Ingress Protection	IP67

Notes: Media compatibility-the media compatible with 17-4PH SS and NBR

Certifications	ROHS Compliant
	CE Compliant

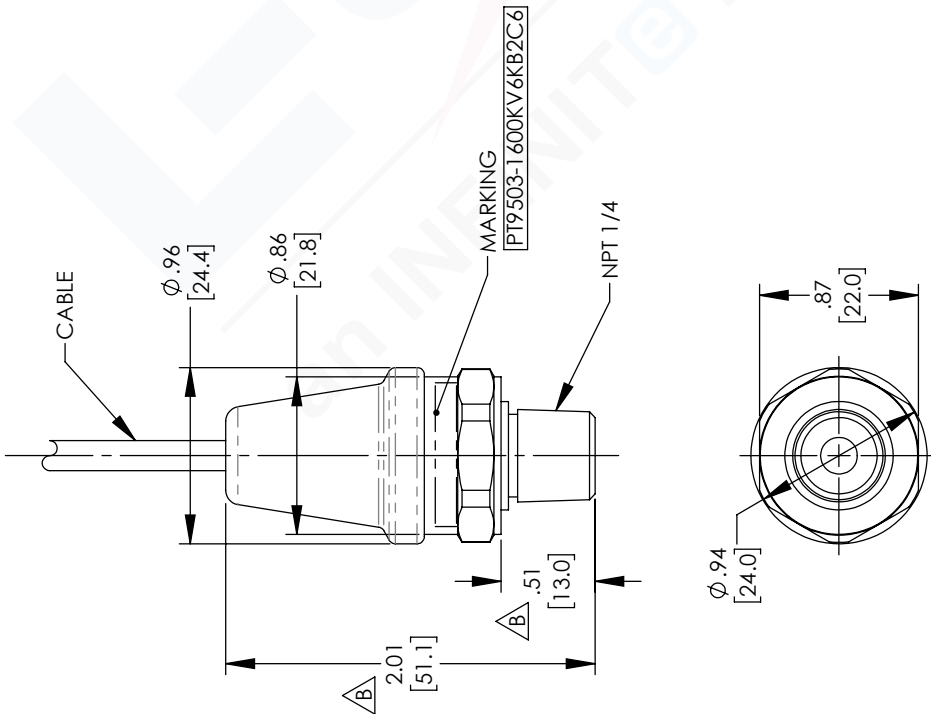
The Infinite Electronics portfolio includes coaxial cable assemblies, connectors, adapters and custom products, as well as our wireless product line which includes antennas, RF amplifiers, lightning and surge protectors, and NEMA rated enclosures.

The information contained in this document is accurate to the best of our knowledge and representative of the part described herein. It may be necessary to make modifications to the part and/or the documentation of the part, in order to implement improvements. L-com reserves the right to make such changes as required. Unless otherwise stated, all specifications are nominal. L-com does not make any representation or warranty regarding the suitability of the part described herein for any particular purpose, and L-com does not assume any liability arising out of the use of any part or documentation.

PT9503-1600KV6KB2C6 CAD Drawing

Pressure Transmitter, 0-1.6MPa, 5V Supply, 0.5-4.5V
signal, cable electrical connection NPT1/4 M

REVISIONS		
REV	DESCRIPTION	DATE
B	ECN 10065: DIM [51.1] WAS 48.5, [13.0] WAS 10.5	08/28/2019
		TO/A



UNLESS OTHERWISE SPECIFIED LENGTH DIMENSIONS ARE IN INCHES DIMENSIONS IN [] ARE MILLIMETERS TOLERANCES: .X±.2 [5.08] FRACTIONS ± 1/32 .XX±.01 [.25] ANGLES ± 1° .XXX±.005 [.13] ALL DIMENSIONS SHOWN ARE FOR REFERENCE ONLY THIRD-ANGLE PROJECTION	THE INFORMATION AND DESIGN IN THIS DOCUMENT IS THE PROPERTY OF L-COM. ALL RIGHTS RESERVED.	
	SHEET 1 OF 1 SCALE N/A	REV B
L-com an INFINITI brand 50 High Street, West Mill, 3rd Floor, Suite #30 North Andover, MA 01845 USA Phone: 1 800 341 5266 1 978 682 6936 Fax: 1 978 689 9484 WWW.L-com.com e-mail: CustomerService@L-com.com		PART NUMBER PT9503-1600KV6KB2C6
SIZE A CAGE 43321 DRAWN BY DZINN		

THESE COMMODITIES, TECHNOLOGY OR SOFTWARE WERE EXPORTED FROM THE UNITED STATES IN ACCORDANCE WITH THE EXPORT ADMINISTRATION REGULATIONS. DIVERSION CONTRARY TO U.S. LAW PROHIBITED.