

10x08x04" UL Listed Fiberglass Reinf Polyester FRP Weatherproof Outdoor IP66 NEMA 4 Enclosure, Kit bundled w/Aluminum Blank Mount Plate

NBF100804-KIT



Features

- UL Listed Molded Fiberglass Reinforced Polyester (FRP) industrial enclosure
- Stainless steel quick release latches with padlock hasps
- NEMA Type 4 / IP66 rated *Note: Any holes or openings you might introduce must be properly sealed to maintain NEMA Type 4 / IP66 rating
- Fully gasketed lid & integral mounting flange

Applications

- Remote Wireless LAN WiFi equipment installations
- Indoor and outdoor installations
- Rapid deployment installations
- Corrosive environments & hotspot applications
- Protection of equipment from theft or damage

Description

The NBF100804-KIT is a UL® Listed rugged weatherproof enclosure that is ideal for both indoor and outdoor applications. Constructed from molded halogen free self extinguishing fiberglass reinforced polyester, it is well suited for high temperature or corrosive environments. The integrated mounting flange allows mounted directly to any flat wall surface provided proper screws are used into secure studs. The enclosure can also be mounted to a wide diameter range of poles with one of our optional pole mounting hardware kits. The fully gasketed lid features a stainless steel continuous hinge and a stainless steel quick release latch with padlock hasp. The enclosure material is UV stabilized and comes in a light gray color.

The 0.10 inch thick blank aluminum mounting plate included with the NBF100804-KIT comes uninstalled and kitted with the enclosure so that you can modify and install as needed.

The NBF100804-KIT now comes with the UL Listing Mark in every enclosure. Ideal for all construction sites and equipment enclosure applications.

The HGX-PMT series of pole mounting kits allow the populated enclosure to be securely mounted to a variety of different pole sizes.

Compatible versions include HGX-PMT13, HGX-PMT16, HGX-PMT28, HGX-PMT29, HGX-PMT30 & HGX-PMT33.

*Note: Any holes or openings you might introduce must be properly sealed to maintain NEMA Type 4 / IP66 rating

Mechanical Specifications

Size

Outer Height	11.63 in	[295.4 mm]
Outer Width	9.41 in	[239.01 mm]
Outer Depth	4.22 in	[107.19 mm]
Inner Height	9.7 in	[246.38 mm]
Inner Width	7.7 in	[195.58 mm]
Inner Depth	3.9 in	[99.06 mm]
Weight	6.2 lbs	[2.81 kg]
Enclosure Material	Fiberglass Reinforced Polyester (FRP)	

Environmental Specifications

Temperature Continuous	-76° to +274°F (-60° to +134°C)
NEMA Rating	4
Ingress Protection (IP) Rating	IP66
Flammability Rating	UL95-5V
Plenum Space Rated	UL2043
Impact Rating	IK10
Outdoor UV Exposure	UL746C: f1 Rated

10x08x04" UL FRP NEMA Encl,w/Alum Blnk Mnt Plt

NBF100804-KIT

Compliance Certifications

UL Listed

E541342

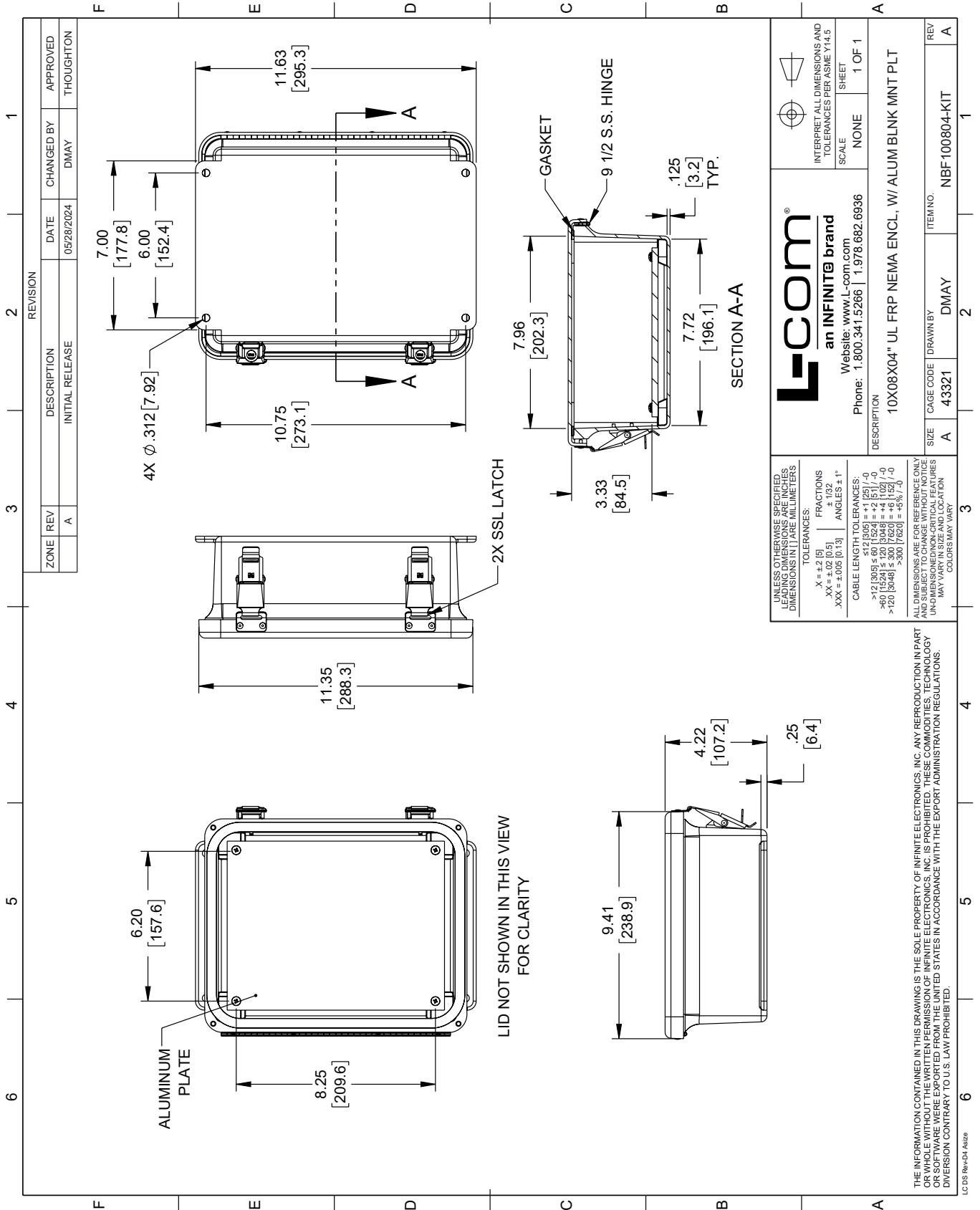
10x08x04" UL FRP NEMA Encl,w/Alum Blnk Mnt Plt from L-com has same day shipment for domestic and International orders. Our portfolio includes coaxial cable assemblies, connectors, adapters and custom products as well as lightning and surge protectors, NEMA rated enclosures, and an RF product line which includes antennas, amplifiers, passive, and active components.

URL: <https://www.l-com.com/10x08x04-inch-ul-frp-nema-enclw-alum-blnk-mnt-plt-nbf100804-kit-p.aspx>

The information contained within this document is accurate to the best of our knowledge and representative of the part described herein. It may be necessary to make modifications to the part and/or the documentation of the part in order to impliment improvements. L-com reserves the right to make such changes as required. Unless otherwise stated, all specifications are nominal. L-com does not make any representation or warranty regarding the suitability of the part described herein for any particular purpose, and L-com does not assume liability arising out of the use of any part or document.

NBF100804-KIT CAD Drawing

10x08x04" UL FRP NEMA Encl,w/Alum Blnk Mnt Plt



ZONE	REV	DESCRIPTION	DATE	CHANGED BY	APPROVED
	A	INITIAL RELEASE	05/28/2024	DMAY	THOUGHTON

<p>L-com an INFINITE brand</p> <p>Website: www.L-com.com Phone: 1.800.341.5266 1.978.682.6936</p>		<p>INTERPRET ALL DIMENSIONS AND TOLERANCES PER ASME Y14.5</p> <p>SCALE: NONE</p> <p>SHEET: 1 OF 1</p>
<p>DESCRIPTION: 10X08X04" UL FRP NEMA ENCL, W/ ALUM BLNK MNT PLT</p>		
<p>UNLESS OTHERWISE SPECIFIED, LEADING DIMENSIONS ARE IN INCHES. DIMENSIONS IN [] ARE MILLIMETERS.</p> <p>TOLERANCES:</p> <p>.X = ±.2 [5]</p> <p>.XX = ±.02 [0.5]</p> <p>.XXX = ±.005 [0.13]</p> <p>FRACTIONS: ± 1/32</p> <p>ANGLES: ± 1°</p> <p>CABLE LENGTH TOLERANCES:</p> <p><12 [305] ±.60 [15.24]</p> <p>>12 [305] ≤ 60 [1524] = ±.2 [5] / -0</p> <p>>60 [1524] ≤ 120 [3048] = ±.4 [10.2] / -0</p> <p>>120 [3048] ≤ 300 [7620] = ±.6 [15.24] / -0</p> <p>>300 [7620] = ±.8 [20.32] / -0</p>	<p>ALL DIMENSIONS ARE FOR REFERENCE ONLY. UNLESS OTHERWISE SPECIFIED, DIMENSIONS ARE IN INCHES. DIMENSIONS IN [] ARE MILLIMETERS. UNLESS OTHERWISE SPECIFIED, LEADING DIMENSIONS ARE IN INCHES. DIMENSIONS IN [] ARE MILLIMETERS.</p> <p>UNLESS OTHERWISE SPECIFIED, LEADING DIMENSIONS ARE IN INCHES. DIMENSIONS IN [] ARE MILLIMETERS.</p> <p>MAY VARY IN SIZE AND LOCATION. COLORS MAY VARY.</p>	<p>REV A</p> <p>ITEM NO. NBF100804-KIT</p>

THE INFORMATION CONTAINED IN THIS DRAWING IS THE SOLE PROPERTY OF INFINITE ELECTRONICS, INC. ANY REPRODUCTION IN PART OR WHOLE WITHOUT THE WRITTEN PERMISSION OF INFINITE ELECTRONICS, INC. IS PROHIBITED. THESE COMMODITIES, TECHNOLOGY OR SERVICES ARE EXPORTED FROM THE UNITED STATES IN ACCORDANCE WITH THE EXPORT ADMINISTRATION REGULATIONS. DIVISION CONTRARY TO U.S. LAW PROHIBITED.

LC 05 Rev-D4 Atsize